

# PowerFlex 70 Adjustable Frequency AC Drive

0.37...37 kW (0.5...50 Hp)

This document explains the 5 BASIC STEPS needed to install and perform a Basic Start-Up of the PowerFlex 70 AC drive. A Human Interface Module (HIM) is required to perform the Basic Start-Up routine covered in this manual.

**The information provided is intended for qualified installers only.**

## Additional Resources

These documents contain additional information concerning related products from Rockwell Automation.

Resource	Description
PowerFlex 70 Adjustable Frequency AC Drive User Manual, publication <a href="#">20A-UM001</a>	Provides the basic information needed to start-up and troubleshoot the PowerFlex® 70 Adjustable Frequency AC Drive.
DriveGuard Safe Torque Off Option (Series B) for PowerFlex 40P and PowerFlex 70 AC Drives, publication <a href="#">PFLEX-UM003</a>	Provides information for the installation and operation of the DriveGuard Safe Torque Off option.
PowerFlex Comm Adapter Manuals, publication <a href="#">20COMM-UM...</a>	Provides information for the installation and operation of the various communication protocol adapters available for the drive.
Dynamic Braking Resistor Calculator, publication <a href="#">PFLEX-AT001</a>	Provides information for determining dynamic braking requirements and evaluating resistors for dynamic braking.
PowerFlex 70 and 700 Reference Manual - Volume 1, publication <a href="#">PFLEX-RM001</a>	Provides detailed information for specifications and dimensions, operation, and dynamic brake selection for the drive.
PowerFlex Reference Manual, publication <a href="#">PFLEX-RM004</a>	Provides detailed drive information including operation, parameter descriptions, and programming.
Wiring and Grounding Guidelines for Pulse Width Modulated (PWM) AC Drives, publication <a href="#">DRIVES-IN001</a>	Provides the basic information needed to properly wire and ground Pulse Width Modulated (PWM) AC drives.
Industry Installation Guidelines for Pulse Width Modulated (PWM) AC Drives, publication <a href="#">DRIVES-AT003</a>	Provides basic information for enclosure systems and environmental/location considerations (to help protect against environmental contaminants), and power and grounding considerations needed to properly install AC drives.
Product Certifications website, <a href="http://www.ab.com">http://www.ab.com</a>	Provides declarations of conformity, certificates, and other certification details.

You can view or download publications at <http://www.rockwellautomation.com/literature/>. To order paper copies of technical documentation, contact your local Allen-Bradley distributor or Rockwell Automation sales representative.

## Allen-Bradley Drives Technical Support

Use the contacts below for PowerFlex 70 technical support including spare parts information.

Online at...	By Email at...	By Telephone at...
<a href="http://www.ab.com/support/abdrives">http://www.ab.com/support/abdrives</a>	support@drives.ra.rockwell.com	262-512-8176

## Installation Instructions in Other Languages

Language	Download Instructions
English	This instruction sheet is available in multiple languages at <a href="http://www.rockwellautomation.com/literature">http://www.rockwellautomation.com/literature</a> . Select publication language and type 20A-IN009 in the search field.
Deutsch	Dieses Instruktionsblatt kann in mehreren Sprachen unter <a href="http://www.rockwellautomation.com/literature">http://www.rockwellautomation.com/literature</a> gelesen werden. Bitte Ihre Sprache anwählen und 20A-IN009 im Suchfeld eintippen.
Français	Ces instructions sont disponibles dans différentes langues à l'adresse suivante: <a href="http://www.rockwellautomation.com/literature">http://www.rockwellautomation.com/literature</a> . Sélectionner la langue puis taper 20A-IN009 dans le champ de recherche.
Italiano	La presente scheda d'istruzione è disponibile in varie lingue sul sito <a href="http://www.rockwellautomation.com/literature">http://www.rockwellautomation.com/literature</a> . Selezionare la lingua desiderata e digitare 20A-IN009 nel campo di ricerca.
Español	Puede encontrar esta hoja de instrucciones en varios idiomas en <a href="http://www.rockwellautomation.com/literature">http://www.rockwellautomation.com/literature</a> . Seleccione el idioma de publicación y escriba 20A-IN009 en el campo de búsqueda.
Português	Pode encontrar esta folha de instruções em várias línguas em <a href="http://rockwellautomation.com/literature">http://rockwellautomation.com/literature</a> . Selecione a língua desejada e entre com "20A-IN009" no espaço de busca.
Dutch	Dit instructieblad is beschikbaar in diverse talen op: <a href="http://www.rockwellautomation.com/literature">http://www.rockwellautomation.com/literature</a> . Kies taal van publicatie en tik 20A-IN009 in het zoekveld.
中文 (简体)	从以下网页可以获得本说明书的多种语言的版本： <a href="http://www.rockwellautomation.com/literature">http://www.rockwellautomation.com/literature</a> 。 请选择出版物的语言，并在搜索栏输入 20A-IN009 印。

## Table of Contents

Catalog Number Explanation .....	4
<b>Step 1: Read the Precautions and General Information .....</b>	<b>6</b>
EMC Instructions .....	8
<b>Step 2: Mount the Drive – Minimum Requirements .....</b>	<b>10</b>
Minimum Mounting Clearances .....	10
Maximum Surrounding Air Temperature .....	10
Power Ratings, Dimensions, and Approximate Weights .....	11
<b>Step 3: Wire the Drive – Wire Recommendations .....</b>	<b>17</b>
Opening the Cover .....	17
IP66 NEMA/UL Type 4X/12 Indoor Installations .....	17
AC Supply Source Considerations .....	18
Power Terminal Block .....	20
General Grounding Requirements .....	22
Power Wiring .....	23
Motor Overload Protection .....	25
Drive, Fuse, and Circuit Breaker Ratings .....	25
Disconnecting MOVs and Common Mode Capacitors .....	29
<b>Step 4: I/O Wiring .....</b>	<b>35</b>
I/O Terminal Positions .....	36
I/O Wiring Examples .....	37
Hardware Enable Circuitry (only enhanced control) .....	39
Safe Torque Off Board Option (only enhanced control) .....	39
Encoder Interface Option (only enhanced control) .....	40
<b>Step 5: Start-up Checklist .....</b>	<b>41</b>
Prepare For Drive Startup .....	41
Information About Start-up Motor Tests .....	42
<b>Appendix A: Startup and Troubleshooting .....</b>	<b>43</b>
First Power-up Menu Structure .....	43
Human Interface Module (HIM) Overview .....	44
Start-up Routines .....	46
Running S.M.A.R.T. Start .....	47
Running an Assisted Startup .....	47
Drive Status Indicators .....	48
Common I/O Programming Changes .....	48
Control Scheme .....	49
Restoring Factory Defaults .....	49
Troubleshooting – Abbreviated Fault and Alarm Listing .....	49
Common Symptoms and Corrective Actions .....	52
Manually Clearing Faults .....	53

# Catalog Number Explanation

Refer to the table below for a description of the catalog numbers.

				Position Number											
1-3	4	5-7	8	9	10	11	12	13	14	15	16				
<b>20A</b>	<b>B</b>	<b>2P2</b>	<b>A</b>	<b>3</b>	<b>A</b>	<b>Y</b>	<b>Y</b>	<b>N</b>	<b>N</b>	<b>C</b>	<b>0</b>				
<i>a</i>	<i>b</i>	<i>c</i>	<i>d</i>	<i>e</i>	<i>f</i>	<i>g</i>	<i>h</i>	<i>i</i>	<i>j</i>	<i>k</i>	<i>l</i>				

**a**

Drive	
Code	Type
20A	PowerFlex 70

**b**

Voltage Rating		
Code	Voltage	Ph.
B	240V AC	3
C	400V AC	3
D	480V AC	3
E	600V AC	3

**c1**

ND Rating			
208V, 60 Hz Input			
Code	Amps	kW (Hp)	Frame
2P2	2.5	0.37 (0.5)	A
4P2	4.8	0.75 (1.0)	A
6P8	7.8	1.5 (2.0)	B
9P6	11	2.2 (3.0)	B
015	17.5	4.0 (5.0)	C
022	25.3	5.5 (7.5)	D
028	32.2	7.5 (10)	D
042	43	11 (15)	D
054	62.1	15 (20)	E
070	78.2	18.5 (25)	E

**c2**

ND Rating			
240V, 60 Hz Input			
Code	Amps	kW (Hp)	Frame
2P2	2.2	0.37 (0.5)	A
4P2	4.2	0.75 (1.0)	A
6P8	6.8	1.5 (2.0)	B
9P6	9.6	2.2 (3.0)	B
015	15.3	4.0 (5.0)	C
022	22	5.5 (7.5)	D
028	28	7.5 (10)	D
042	42	11 (15)	D
054	54	15 (20)	E
070	70	18.5 (25)	E

**c3**

ND Rating			
400V, 50 Hz Input			
Code	Amps	kW (Hp)	Frame
1P3	1.3	0.37 (0.5)	A
2P1	2.1	0.75 (1.0)	A
3P5	3.5	1.5 (2.0)	A
5P0	5.0	2.2 (3.0)	B
8P7	8.7	4.0 (5.0)	B
011	11.5	5.5 (7.5)	C
015	15.4	7.5 (10)	C
022	22	11 (15)	D
030	30	15 (20)	D
037	37	18.5 (25)	D
043	43	22 (30)	D
060	60	30 (40)	E
072	72	37 (50)	E

**c4**

ND Rating			
480V, 60 Hz Input			
Code	Amps	kW (Hp)	Frame
1P1	1.1	0.37 (0.5)	A
2P1	2.1	0.75 (1.0)	A
3P4	3.4	1.5 (2.0)	A
5P0	5.0	2.2 (3.0)	B
8P0	8.0	3.7 (5.0)	B
011	11	5.5 (7.5)	C
014	14	7.5 (10)	C
022	22	11 (15)	D
027	27	15 (20)	D
034	34	18.5 (25)	D
040	40	22 (30)	D
052	52	30 (40)	E
065	65	37 (50)	E

**c5**

ND Rating			
600V, 60 Hz Input *			
Code	Amps	kW (Hp)	Frame
0P9	0.9	0.37 (0.5)	A
1P7	1.7	0.75 (1.0)	A
2P7	2.7	1.5 (2.0)	A
3P9	3.9	2.2 (3.0)	B
6P1	6.1	4.0 (5.0)	B
9P0	9.0	5.5 (7.5)	C
011	11	7.5 (10)	C
017	17	11 (15)	D
022	22	15 (20)	D
027	27	18.5 (25)	D
032	32	22 (30)	D
041	41	30 (40)	E
052	52	37 (50)	E

\* CE certification testing has not been performed on 600V class drives.

**d**

Enclosure	
Code	Enclosure
A	Panel Mount - IP 20, NEMA/UL Type 1
C	Wall/Machine Mount = IP66, NEMA/UL Type 4X/12 for indoor use only
F	Flange Mount - Front Chassis = IP 20, NEMA/UL Type 1; Rear Heatsink = IP66, NEMA/UL Type 4X/12 for indoor/outdoor use
G	Wall/Machine Mount - IP54, NEMA/UL Type 12 *

\* Only available on Frame E.

**e**

HIM	
Code	Interface Module
0	Blank Cover
3	Full Numeric LCD
5	Prog. Only LCD *

\* Only available with NEMA 4X, option C.

See [Catalog Number Explanation \(continued\)](#) on page 5

## Catalog Number Explanation (continued)

				Position Number							
1-3	4	5-7	8	9	10	11	12	13	14	15	16
20A	B	2P2	A	3	A	Y	Y	N	N	C	0
<i>a</i>	<i>b</i>	<i>c</i>	<i>d</i>	<i>e</i>	<i>f</i>	<i>g</i>	<i>h</i>	<i>i</i>	<i>j</i>	<i>k</i>	<i>l</i>

*f*

Documentation	
Code	Type
A	Manual
N	No Manual

*g*

Brake IGBT	
Code	w/Brake IGBT
Y	Yes

*h*

Internal Brake Resistor	
Code	w/Resistor
Y	Yes
N	No

*i*

Emission Class	
Code	Rating
A	Filtered* A* & B Frames (Optional) C, D, & E Frames (Standard)
N	Not Filtered* A & B Frames (Optional) C, D, & E Frames

\* 600V Frames A through D available only without filter (Cat. Code N). 600V Frame E available only with filter (Cat. Code A).

\* Increases size to Frame B.

*j*

Comm Slot	
Code	Network Type
C	ControlNet (Coax)
D	DeviceNet
E	EtherNet/IP
N	None

*k*

Control & I/O		
Code	Control	Safe-Off
N*	Standard	N/A
C	Enhanced	No
G*	Enhanced	Yes

\* No longer available for sale.

\* Not available as factory installed option for 600V ratings.

*l*

Feedback	
Code	Feedback
0	No Feedback - Enhanced Control
1	5V/12V Encoder w/Enhanced Control

## Step 1: Read the Precautions and General Information

### Qualified Personnel

---



**ATTENTION:** Only qualified personnel familiar with adjustable frequency AC drives and associated machinery can plan or implement the installation, startup, and subsequent maintenance of the system. Failure to comply can result in personal injury and/or equipment damage.

---

### Personal Safety

---



**ATTENTION:** To avoid an electric shock hazard, verify that the voltage on the bus capacitors has discharged before performing any work on the drive. Measure the DC bus voltage at the +DC terminal of the Power Terminal Block and the -DC test point (refer to [Figure 8 on page 21](#) for location). The voltage must be zero.



**ATTENTION:** Risk of injury or equipment damage exists. DPI or SCANport host products must not be directly connected together via 1202 cables. Unpredictable behavior can result if two or more devices are connected in this manner.



**ATTENTION:** The drive start/stop/enable control circuitry includes solid state components. If hazards due to accidental contact with moving machinery or unintentional flow of liquid, gas or solids exist, an additional hardwired stop circuit may be required to remove the AC line to the drive. An auxiliary braking method may be required.

---

### Product Safety

---



**ATTENTION:** An incorrectly applied or installed drive can result in component damage or a reduction in product life. Wiring or application errors, such as, undersizing the motor, incorrect or inadequate AC supply, or excessive ambient temperatures can result in malfunction of the system.



**ATTENTION:** This drive contains ESD (Electrostatic Discharge) sensitive parts and assemblies. Static control precautions are required when installing, testing, servicing or repairing this assembly. Component damage can result if ESD control procedures are not followed. If you are not familiar with static control procedures, reference Guarding Against Electrostatic Damage, publication 8000-4.5.2 or any other applicable ESD protection handbook.



**ATTENTION:** Configuring an analog input for 0-20 mA operation and driving it from a voltage source could cause component damage. Verify proper configuration prior to applying input signals.



**ATTENTION:** A contactor or other device that routinely disconnects and reapplies the AC line to the drive to start and stop the motor can cause drive hardware damage. The drive is designed to use control input signals that start and stop the motor. If an input device is used, operation must not exceed one cycle per minute or drive damage can occur.

---



**ATTENTION:** The “adjust freq” portion of the bus regulator function is extremely useful for preventing nuisance overvoltage faults resulting from aggressive decelerations, overhauling loads, and eccentric loads. It forces the output frequency to be greater than commanded frequency while the drive’s bus voltage is increasing towards levels that can cause a fault; however, it can also cause either of the following two conditions to occur.

- Fast positive changes in input voltage (more than a 10% increase within 6 minutes) can cause uncommanded positive speed changes; however an F25 “OverSpeed Limit” fault occurs if the speed reaches P82 [Max Speed] + P83 [Overspeed Limit]. If this condition is unacceptable. Take action to 1) limit supply voltages within the specification of the drive and, 2) limit fast positive input voltage changes to less than 10%. Without taking such actions, if this operation is unacceptable, the “adjust freq” portion of the bus regulator function must be disabled (see parameters 161 [Bus Reg Mode A] and 162 [Bus Reg Mode B]).
- Actual deceleration times can be longer than commanded deceleration times; however, a “Decel Inhibit” fault is generated if the drive stops decelerating altogether. If this condition is unacceptable, the “adjust freq” portion of the bus regulator must be disabled (see parameters 161 [Bus Reg Mode A] and 162 [Bus Reg Mode B]). In addition, installing a properly sized dynamic brake resistor provides equal or better performance in most cases.

Note: These faults are not instantaneous and have shown test results that take between 2 and 12 seconds to occur.

---

## Output Contactor Precaution

---



**ATTENTION:** To guard against drive damage when using output contactors, the following information must be read and understood. One or more output contactors can be installed between the drive and motor(s) for the purpose of disconnecting or isolating certain motors/loads. If a contactor is opened while the drive is operating, power is removed from the respective motor, but the drive continues to produce voltage at the output terminals. In addition, reconnecting a motor to an active drive (by closing the contactor) could produce excessive current that can cause the drive to fault. If any of these conditions are determined to be undesirable or unsafe, wire an auxiliary contact on the output contactor to a drive digital input that is programmed as “Enable.” This causes the drive to execute a coast-to-stop (cease output) whenever an output contactor is opened.

---

## EMC Instructions

The following section provides instructions for Electromagnetic Compatibility (EMC) compliance.

### *CE Conformity<sup>(1)</sup>*

Conformity with the Low Voltage (LV) and EMC directive has been demonstrated by using harmonized European Norm (EN) standards published in the Official Journal of the European Communities. PowerFlex Drives comply with the EN standards listed below when installed according to the user manuals and reference manuals.

CE declarations of conformity are available online at:

<http://www.rockwellautomation.com/rockwellautomation/certification/overview.page>

### *Low Voltage Directive (2006/95/EC)*

- EN50178, electronic equipment for use in power installations.

### *EMC Directive (89/336/EEC)*

- EN61800-3, adjustable speed electrical power drive systems Part 3: EMC product standard including specific test methods.

### *General Notes*

- Some drives are equipped with an adhesive label on the top of the drive. If the adhesive label is removed, the drive must be installed in an enclosure with side openings less than 12.5 mm (0.5 in.) and top openings less than 1.0 mm (0.04 in.) to maintain compliance with the LV directive.
- Use a motor cable that is as short as possible to avoid electromagnetic emission and capacitive currents.
- Do not use line filters in ungrounded systems.
- PowerFlex drives can cause radio interference if used in a residential or domestic environment. Follow national and local industrial safety regulations and/or electrical codes, in addition to the essential requirements for CE compliance (see [page 9](#)), to prevent radio interference.
- Conformity of the drive with CE EMC requirements does not mean that an entire machine or installation complies with CE EMC requirements. Many factors can influence total machine/installation compliance.
- PowerFlex drives can generate conducted low-frequency disturbances (harmonic emissions) on the AC supply system. More information regarding harmonic emissions can be found in the PowerFlex Reference Manual, publication [PFLEX-RM004](#).

(1) CE certification testing has not been completed for 600V class drives.



### Essential Requirements for CE Compliance

These six conditions **must** be satisfied for PowerFlex drives to meet the requirements of EN61800-3:

- Standard PowerFlex 70 CE compatible drive.
- Review important precautions/attention statements throughout this manual before installing the drive.
- Ground the drive as described in [General Grounding Requirements on page 22](#).
- Output power, control (I/O), and signal wiring must be braided, shielded cable with a coverage of 75% or better, metal conduit or equivalent attenuation.
- All shielded cables must terminate with the proper shielded connector.
- Comply with the conditions in [Table 1](#).

**Table 1 - PowerFlex 70 EN61800-3 EMC Compatibility**

Frame	Drive Description	Second Environment				First Environment Restricted Distribution
		Restrict Motor Cable to 40 m (131 ft)	Internal Filter Option	External Filter	Input Ferrite <sup>(1)</sup>	
A	Drive only	X		X		See PowerFlex Reference Manual, publication <a href="#">PFLEX-RM001</a>
	With any comm option	X		X		
	With remote I/O	X		X	X	
B	Drive only	X	X			
	With any comm option	X	X			
	With remote I/O	X	X		X	
C, D, E	Drive only	X				
	With any comm option	X				
	With remote I/O	X			X	

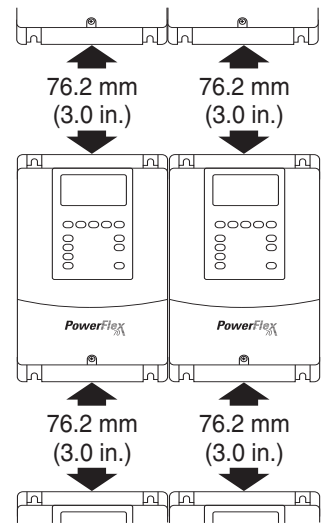
(1) Input cables through a Ferrite Core (frames A, B, and C Fair-Rite #2643102002 or equivalent, frames D and E Fair-Rite #2643251002 or equivalent).

## Step 2: Mount the Drive – Minimum Requirements

This section describes the minimum requirements to mount the drive.

### Minimum Mounting Clearances

Specified vertical clearance requirements are intended to be from the drive to the closest object that can restrict airflow through the drive heat sink and chassis. The drive must be mounted in a vertical orientation as shown, and must make full contact with the mounting surface. Do not use standoffs or spacers. In addition, inlet air temperature must not exceed the product specification.



### Maximum Surrounding Air Temperature

Enclosure Rating	Temperature Range
Open Type, IP 20, NEMA/UL Type 1 and flange mount	0...50 °C (32...122 °F)
IP54 and IP66 NEMA/UL Type 4X/12	0...40 °C (32...104 °F)

**IMPORTANT** Some drives are equipped with an adhesive label on the top of the chassis. Removing the adhesive label from the drive changes the NEMA/UL enclosure rating from Type 1 Enclosed to Open Type.

## Power Ratings, Dimensions, and Approximate Weights

This section provides power ratings, dimensions, and weights for the drives.

**Table 2 - Power Ratings**

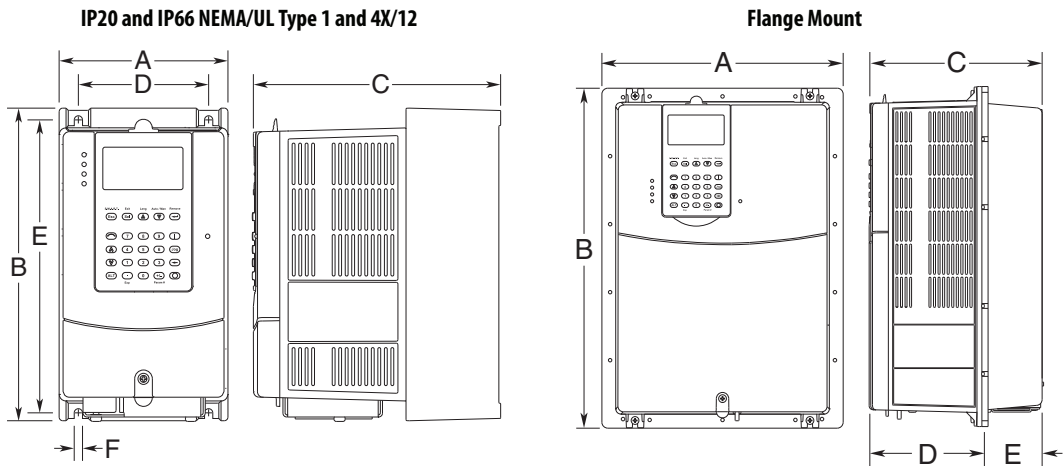
Output Power		Frame Size								
kW ND (HD)	Hp ND (HD)	208...240V AC Input			400...480V AC Input			600V AC Input		
		Not Filtered <sup>(1)</sup>	Filtered <sup>(2)</sup>	IP66 NEMA/UL Type 4X/12 <sup>(3)</sup>	Not Filtered <sup>(1)</sup>	Filtered <sup>(2)</sup>	IP66 NEMA/UL Type 4X/12 <sup>(3)</sup>	Not Filtered <sup>(1)</sup>	Filtered <sup>(2)</sup>	IP66 NEMA/UL Type 4X/12 <sup>(3)</sup>
0.37 (0.25)	0.5 (0.33)	A	B	B	A	B	B	A	–	B
0.75 (0.55)	1 (0.75)	A	B	B	A	B	B	A	–	B
1.5 (1.1)	2 (1.5)	B	B	B	A	B	B	A	–	B
2.2 (1.5)	3 (2)	B	B	B	B	B	B	B	–	B
4 (3)	5 (3)	–	C	D	B	B	B	B	–	B
5.5 (4)	7.5 (5)	–	D	D	–	C	D	C	–	D
7.5 (5.5)	10 (7.5)	–	D	D	–	C	D	C	–	D
11 (7.5)	15 (10)	–	D	D	–	D	D	D	–	D
15 (11)	20 (15)	–	E	E	–	D	D	D	–	D
18.5 (15)	25 (20)	–	E	E	–	D	D	D	–	D
22 (18.5)	30 (25)	–	–	–	–	D	D	D	–	D
30 (22)	40 (30)	–	–	–	–	E	E	–	E	E
37 (30)	50 (40)	–	–	–	–	E	E	–	E	E

(1) Not filtered is indicated if position 13 of the catalog number = N.

(2) Filtered is indicated if position 13 of the catalog number = A.

(3) For indoor use only.

**Figure 1 - Dimension Drawings**

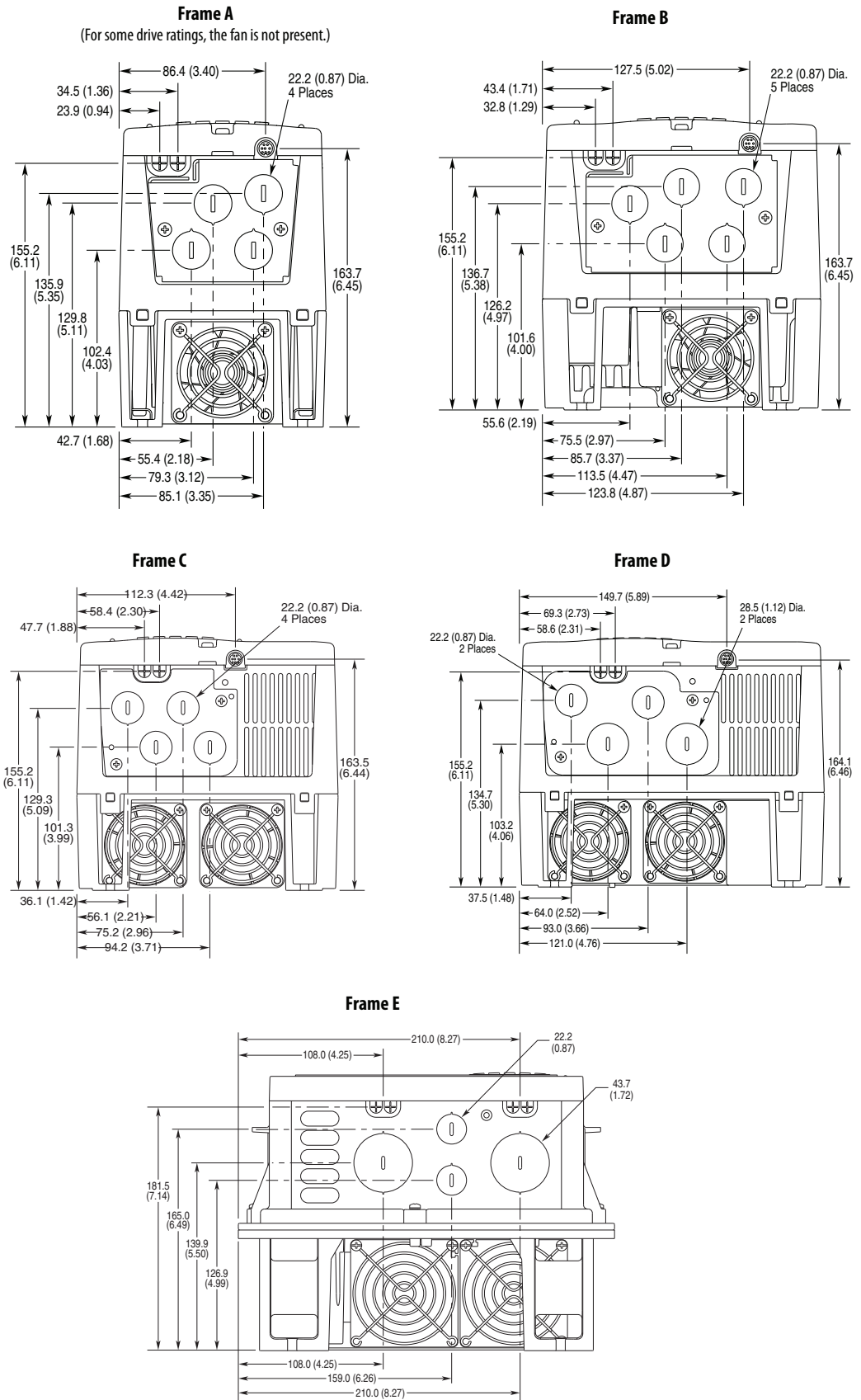


**Table 3 - Dimensions and Approximate Weights**

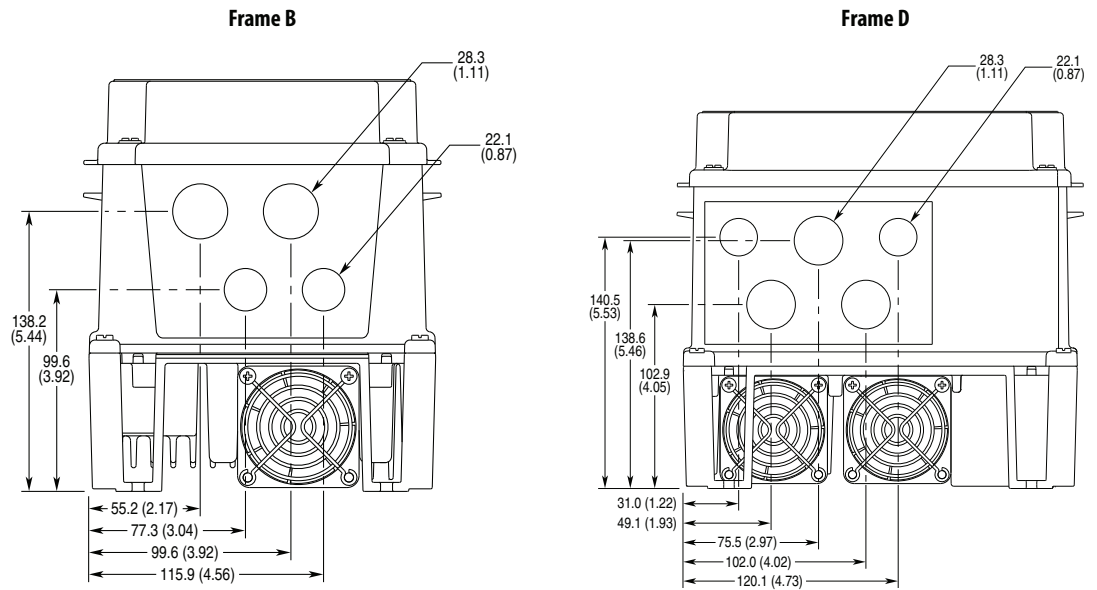
Frame	Dimensions, mm (in.)						Weight <sup>(1)</sup> kg (lb)
	A	B	C	D	E	F	
<b>IP20 NEMA/UL Type 1</b>							
A	122.4 (4.82)	225.7 (8.89)	179.8 (7.08)	94.2 (3.71)	211.6 (8.33)	5.8 (0.23)	2.71 (6.0)
B	171.7 (6.76)	234.6 (9.24)	179.8 (7.08)	122.7 (4.83)	220.2 (8.67)	5.8 (0.23)	3.60 (7.9)
C	185.0 (7.28)	300.0 (11.81)	179.8 (7.08)	137.6 (5.42)	285.6 (11.25)	5.8 (0.23)	6.89 (15.2)
D	219.9 (8.66)	350.0 (13.78)	179.8 (7.08)	169.0 (6.65)	335.6 (13.21)	5.8 (0.23)	9.25 (20.4)
E	280.3 (11.04)	555.8 (21.88)	207.1 (8.15)	200.0 (7.87)	491.0 (19.33)	6.9 (0.27)	18.60 (41.0)
<b>IP66 NEMA/UL Type 4X/12 (for indoor use only)</b>							
B	171.7 (6.76)	239.8 (9.44)	203.3 (8.00)	122.7 (4.83)	220.2 (8.67)	5.8 (0.23)	3.61 (8.0)
D	219.9 (8.66)	350.0 (13.78)	210.7 (8.29)	169.0 (6.65)	335.6 (13.21)	5.8 (0.23)	9.13 (20.1)
E	280.3 (11.04)	555.8 (21.88)	219.8 (8.65)	200.0 (7.87)	491.0 (19.33)	6.9 (0.27)	18.60 (41.0)
<b>Flange Mount</b>							
A	156.0 (6.14)	225.8 (8.89)	178.6 (7.03)	123.0 (4.84)	55.6 (2.19)	–	2.71 (6.0)
B	205.2 (8.08)	234.6 (9.24)	178.6 (7.03)	123.0 (4.84)	55.6 (2.19)	–	3.60 (7.9)
C	219.0 (8.62)	300.0 (11.81)	178.6 (7.03)	123.0 (4.84)	55.6 (2.19)	–	6.89 (15.2)
D	248.4 (9.78)	350.0 (13.78)	178.6 (7.03)	123.0 (4.84)	55.6 (2.19)	–	9.25 (20.4)
E	280.3 (11.04)	555.8 (21.88)	207.1 (8.15)	117.2 (4.61)	89.9 (3.54)	–	18.60 (41.0)

(1) Approximate weights include the HIM.

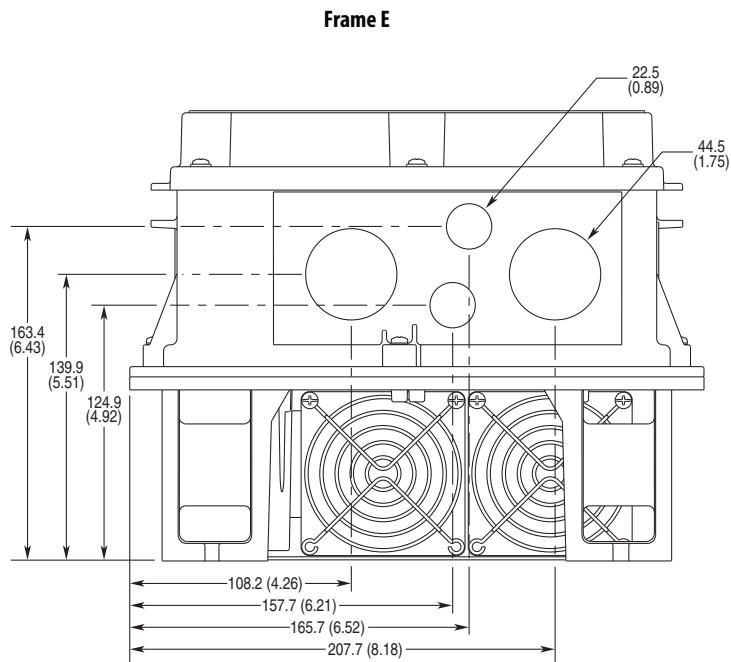
**Figure 2 - PowerFlex 70 IP20 NEMA/UL Type 1 Bottom View Dimensions, mm (in.)**



**Figure 3 - PowerFlex 70 IP 66 NEMA/UL Type 4X/12 Bottom View Dimensions, mm (in.)  
(for indoor use only)**



**Figure 4 - PowerFlex 70 IP 54 / IP 66 NEMA/UL Type 4X/12 Bottom View Dimensions, mm (in.)**



**Figure 5 - PowerFlex 70 Flange Mount Bottom View Dimensions, mm (in.)**

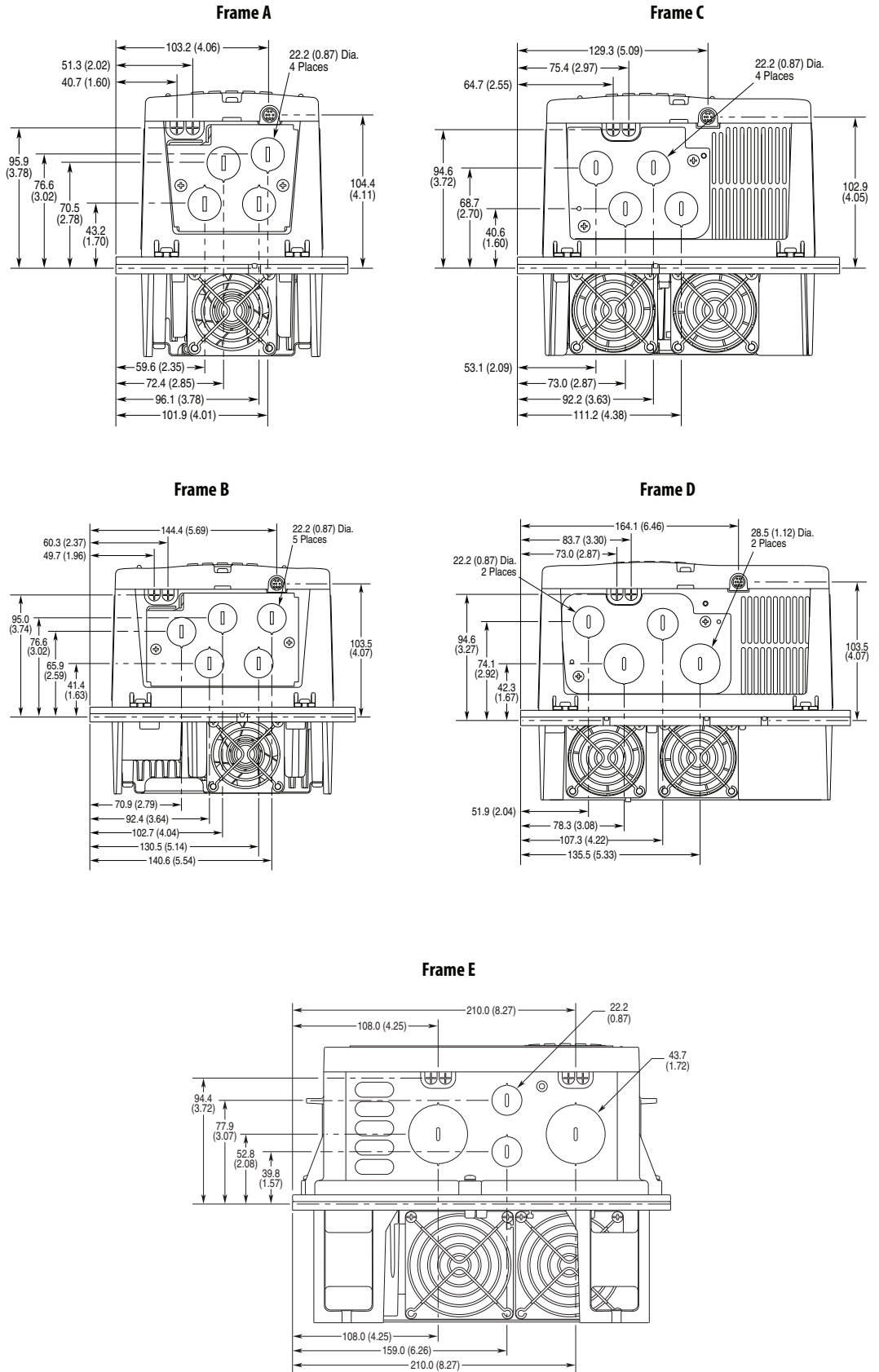
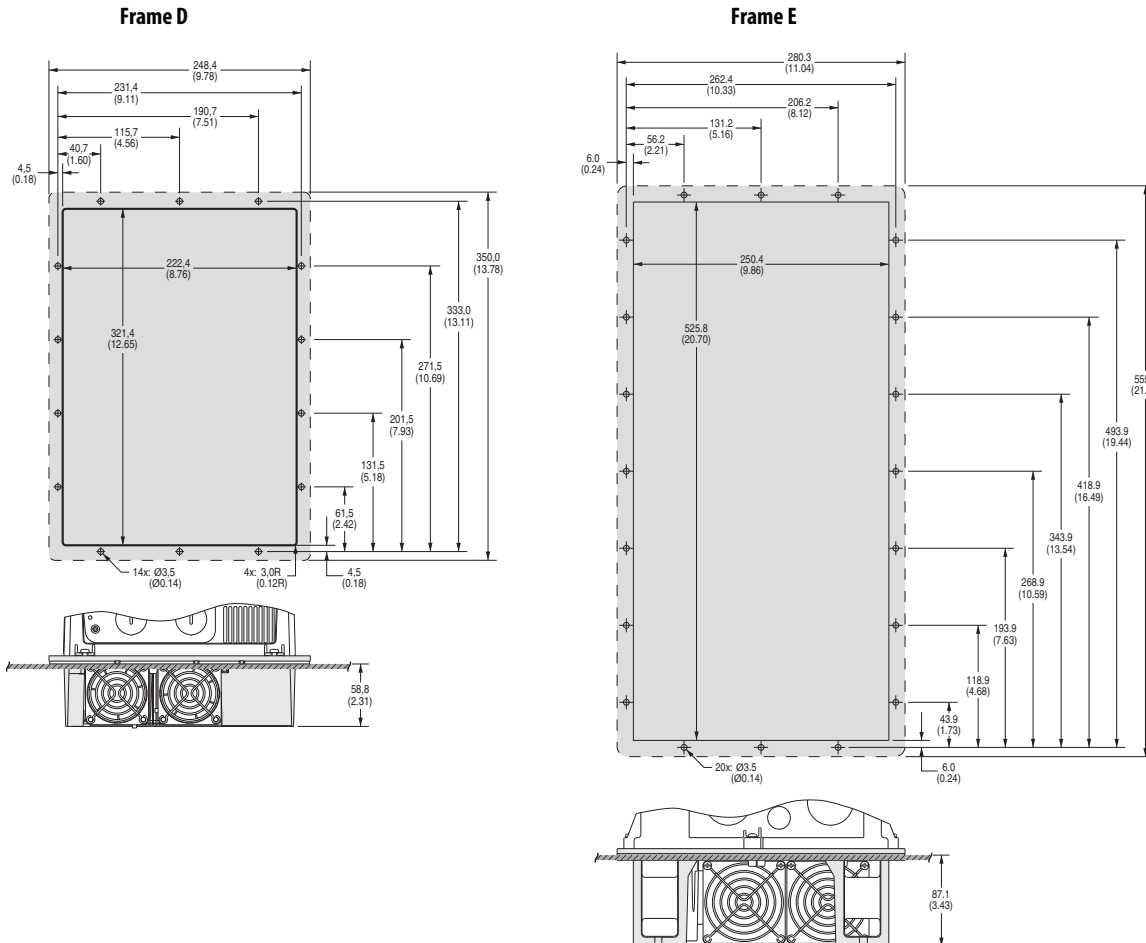
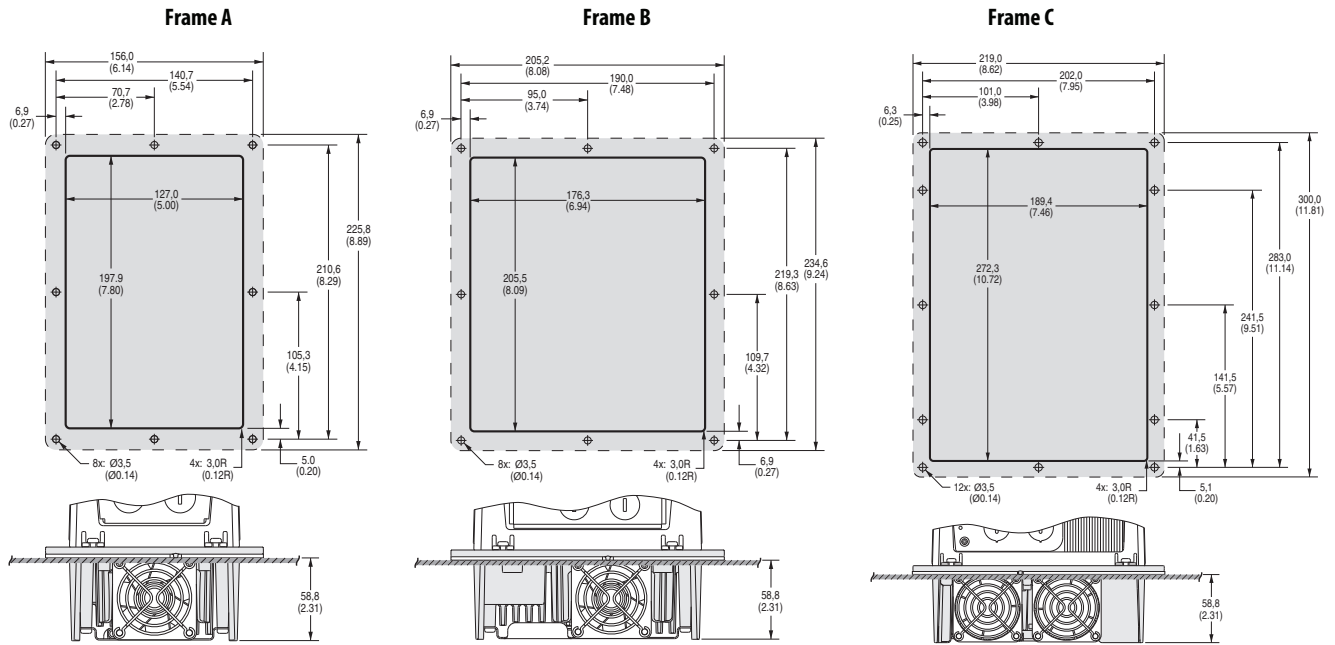


Figure 6 - PowerFlex 70 Cutout Dimensions





## Step 3: Wire the Drive – Wire Recommendations

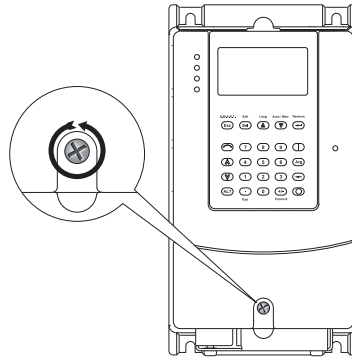
This section describes wiring recommendations for the drive.

### Opening the Cover

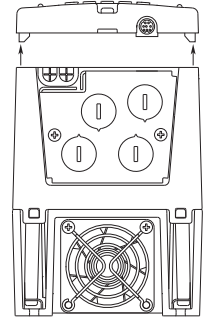
To open the cover, follow the steps for your drive enclosure shown below.

#### *IP20 NEMA/UL Type 1*

1. Loosen the cover screw.

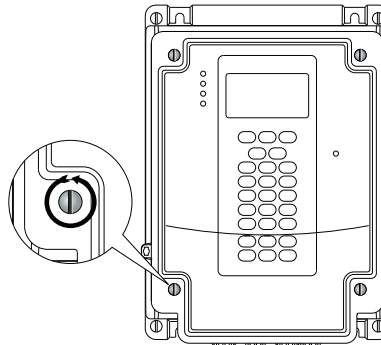


2. Pull the cover straight off the chassis to avoid damaging the connector pins.

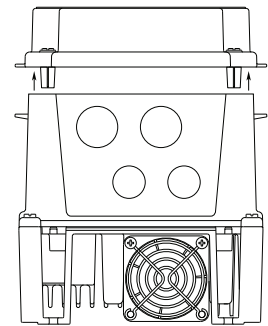


#### *IP66 NEMA/UL Type 4X/12 (for indoor use only)*

1. Loosen the cover screws.



2. Pull the cover straight off the chassis.




---

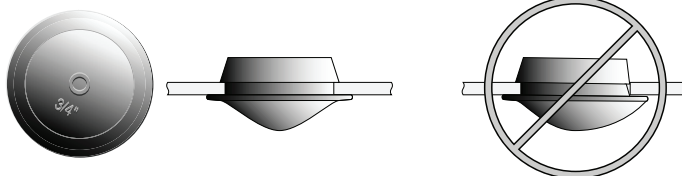
**IMPORTANT** Torque cover screws to 0.79 N•m (7 lb•in).

---

### IP66 NEMA/UL Type 4X/12 Indoor Installations

Use the plugs supplied with IP66 NEMA/UL Type 4X/12 rated drives to seal unused holes in the conduit entry plate.

For the best seal, be sure that the inner rim of the plug is fully seated against the edge of the conduit entry hole.



**Table 4 - Wiring Specifications**

Type		Wire Types	Description	Min Insulation Rating
<b>Power</b> (1)(2)	Standard	600V, 90 °C (194 °F) XHHW2/RHW-2 Anixter B209500-B209507, Belden 29501-29507, (or equivalent)	Four tinned copper conductors with XLPE insulation. Copper braid/aluminum foil combination shield and tinned copper drain wire. PVC jacket.	–
		Belden 8760/9460 (or equivalent)	0.750 mm <sup>2</sup> (18 AWG), twisted pair, 100% shield with drain .	300V, 75...90 °C (167...194 °F)
<b>Signal</b> (1) (3) (4)	Standard analog I/O	Belden 8770 (or equivalent)	0.750 mm <sup>2</sup> (18 AWG), three-conductor, shielded for remote pot.	
		<b>Digital I/O</b> (1) (3) (4)	Shielded	Multi-conductor shielded cable such as Belden 8770 (or equivalent)

- (1) Control and signal wires must be separated from power wires by at least 0.3 m (1 ft).  
(2) We recommend the use of shielded wire for AC input power (even if it is not necessary).  
(3) If the wires are short and contained within a cabinet that has no sensitive circuits, we recommend the use of shielded wire (even if it is not necessary).  
(4) I/O terminals labeled “(-)” or “Common” are not referenced to earth ground and are designed to greatly reduce common mode interference. Grounding these terminals can cause signal noise.

## AC Supply Source Considerations

PowerFlex 70 drives are suitable for use on a circuit capable of delivering up to a maximum of 200,000 rms symmetrical amperes, and a maximum of 600V.



**ATTENTION:** To guard against personal injury and/or equipment damage caused by improper fusing or circuit breaker selection, use the recommended line fuses/circuit breakers specified in [Drive, Fuse, and Circuit Breaker Ratings on page 25](#).

If the drive has a system ground fault monitor (residual current device), use Type B (adjustable) devices to avoid nuisance tripping.

### *Unbalanced, Ungrounded, High Resistance or B-phase Grounded Distribution Systems*

Install an isolation transformer on an ungrounded distribution system where the line-to-ground voltages on any phase could exceed 125% of the nominal line-to-line voltage. See Wiring and Grounding Guidelines for PWM AC Drives, publication [DRIVES-IN001](#), for more information on impedance grounded and ungrounded systems.

### *Input Power Conditioning*

Some events on the power system supplying a drive can cause component damage or shortened product life. These events are divided into two basic categories that are described below:

- **All Drives**
  - The power system has power factor correction capacitors switched in and out of the system, either by the user or by the power company.
  - The power source has intermittent voltage spikes in excess of 6000V. These spikes could be caused by other equipment on the line, or by events such as lightning strikes.
  - The power source has frequent interruptions.
- **5 Hp or Less Drives** (in addition to all drives above)
  - The nearest supply transformer is larger than 100 kVA, or the available short circuit (fault) current is greater than 100,000 A.
  - The impedance in front of the drive is less than 0.5%.

If any or all of these conditions exist, we recommend that you install a minimum amount of impedance between the drive and the source. This impedance could come from the supply transformer itself, the cable between the transformer and drive, or an additional transformer or reactor. To calculate the impedance, use the information supplied in the Wiring and Grounding Guidelines for Pulse Width Modulated (PWM) AC Drives, publication [DRIVES-IN001](#).

### *Single-phase Input Power*

The PowerFlex 70 drive is typically used with a three-phase input supply. The drive is listed by Underwriters Laboratories (UL) to operate on single-phase input power. Single-phase operation provides 50% of the three-phase rated current. Refer to [Table 11 on page 27](#) through [Table 13 on page 29](#).

### *Generator Input Power*

Contact technical support for details on how to properly power a drive when using generator power. See Rockwell Automation Support on the back cover.

## Power Terminal Block

Figure 7 - Typical Power Terminal Block Location (B frame shown)

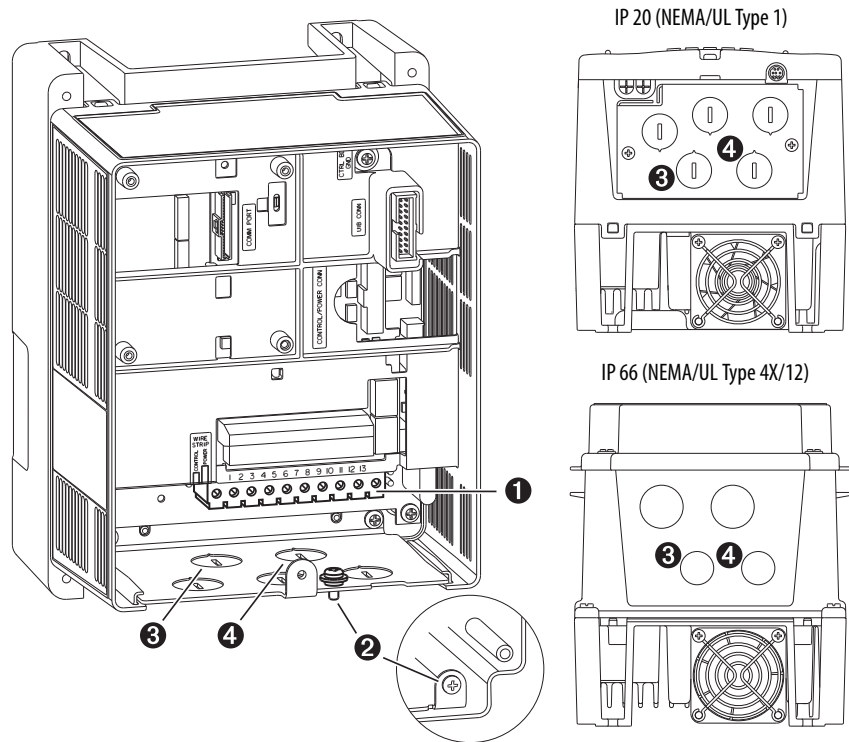


Table 5 - Power Terminal Block Specifications

No.	Name	Frame	Description	Wire Size Range <sup>(1)</sup>		Torque	
				Max mm <sup>2</sup> (AWG)	Min mm <sup>2</sup> (AWG)	Max N•m (lb•in)	Recommended N•m (lb•in)
1	Power terminal block	A, B, C	Input power and motor connections	4.0 (10)	0.3 (22)	1.1 (10)	0.8 (7)
		D	Input power and motor connections	10.0 (6)	0.8 (18)	1.7 (15)	1.4 (12)
		E	Input power and motor connections	25.0 (3)	2.5 (14)	2.71 (24)	2.71 (24)
2	SHLD terminal	All	Terminating point for wiring shields	—	—	1.6 (14)	1.6 (14)

(1) Maximum/minimum sizes that the terminal block can accept – these are not recommendations.

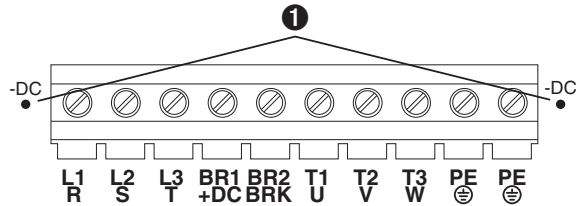
Table 6 - Wire Routing Recommendations

No.	Description
3	Suggested entry for incoming line wiring.
4	Suggested entry for motor wiring.

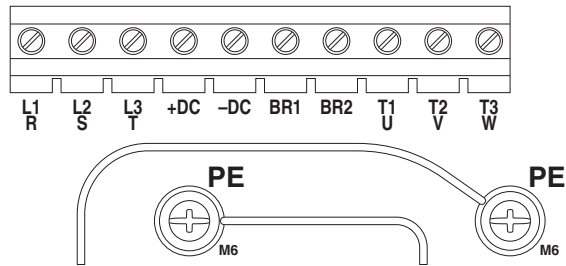
### Cable Entry Plate Removal

If additional wiring access is needed, the cable entry plate on all drive frames can be removed. Loosen the screws securing the plate to the heat sink and slide the plate out.

**Figure 8 - Frame A, B, C, D Power Terminal Block and DC Bus Test Points**

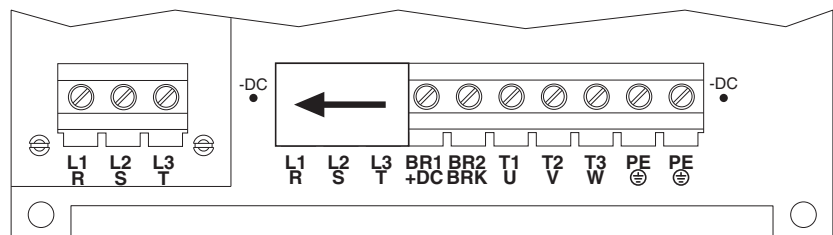


**Figure 9 - Frame E Power Terminal Block**



Terminal	Description	Notes
R	R (L1)	Three-phase AC line input power. For single-phase input, connect to any two terminals.
S	S (L2)	
T	T (L3)	
BR1	DC brake	DB resistor connection - <b>Important:</b> Do not connect both an internal and external DB resistor at the same time. This can violate the minimum allowed DB resistance and cause damage to the drive.
BR2	DC brake	
U	U (T1)	To the motor
V	V (T2)	To the motor
W	W (T3)	To the motor
PE	PE ground	-
PE	PE ground	-
-DC	DC bus (-)	❶ Test point on Frames A, B, C, and D are to the left or right of the power terminal block. Frame E has a dedicated terminal.
+DC	DC bus (+)	-

**Figure 10 - Power Input Terminals on Frame B with Internal RFI Filter Option**



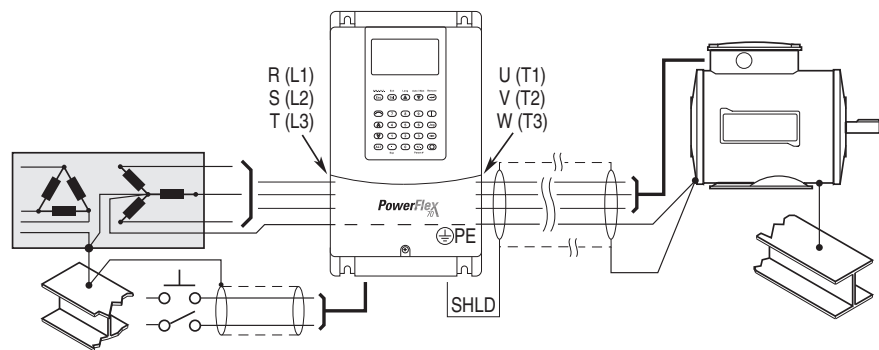
## General Grounding Requirements

**IMPORTANT** The safety ground for the drive (PE) must be connected to system ground.

Ground impedance must conform to the requirements of national and local industrial safety regulations and/or electrical codes. Check the integrity of all ground connections periodically.

For installations within a cabinet, a single safety ground point or ground bus bar connected directly to building steel (girder, joist) can be used. All circuits including the AC input ground conductor can be grounded independently and directly to this point/bar.

**Figure 11 - Typical Grounding**



### Safety Ground (PE)

This is the safety ground for the drive that is required by code. This point must be connected to adjacent building steel (girder, joist), a floor ground rod or bus bar (see [Figure 11](#)). Grounding points must comply with national and local industrial safety regulations and/or electrical codes.

### Shield Termination - SHLD

The shield terminal (see [Figure 7 on page 20](#)) provides a grounding point for the motor cable shield. The motor cable shield can be connected to this terminal on the drive (on the drive end) and the motor frame (on the motor end). A shield terminating cable gland can also be used.

If you use shielded cable for control and signal wiring, the shield can be grounded at the source end, and not the drive end.

### *RFI Filter Grounding*

---

**IMPORTANT** Use RFI filters only in installations with grounded AC supply systems that are permanently installed and solidly grounded (bonded) to the building power distribution ground.

---

If you use an optional radio-frequency interference (RFI) filter, relatively high ground leakage currents can be present. Be sure that the incoming supply neutral is solidly connected (bonded) to the same building power distribution ground. Grounding must not rely on flexible cables and must not include any form of plug or socket that permits inadvertent disconnection. Some local codes require redundant ground connections. Periodically check the integrity of all connections. Refer to the instructions supplied with the filter.



**ATTENTION:** The PowerFlex 70 does not provide branch short circuit protection. See [Drive, Fuse, and Circuit Breaker Ratings on page 25](#) for the recommended fuse or circuit breaker to protect against short circuits.

---

### **Power Wiring**



**ATTENTION:** National Codes and standards (NEC, VDE, BSI, and others) and local codes outline provisions for safely installing electrical equipment. Installation must comply with specifications regarding wire types, conductor sizes, branch circuit protection and disconnect devices. Failure to do so can result in personal injury and/or equipment damage.

---

### *Cable Types Acceptable for 200...600V Installations*

A variety of cable types are acceptable for drive installations. For many installations unshielded cable is adequate, as long as the cable is separated from sensitive circuits. As an approximate guide, provide a spacing of 0.3 m (1 ft) for every 10 m (32.8 ft) of length. In all cases, do not use long parallel runs. Do not use cable with an insulation thickness less than 15 mils (0.4 mm/0.015 in.). Use copper wire. Wire gauge requirements and recommendations are based on 75 °C (167 °F). Do not reduce wire gauge when using higher temperature wire.

### *Unshielded*

Thermoplastic High Heat-resistant Nylon-coated (THHN), Thermoplastic Heat and Water-resistant Nylon-coated (THWN), or similar wire is acceptable for drive installation in dry environments as long as adequate free air space and/or conduit fill rate limits are provided. The wire must have a minimum insulation thickness of 15 mils (0.4 mm/0.015 in.) and cannot have large variations in insulation concentricity.

---

**IMPORTANT** Do not use THHN or similarly coated wire in wet areas.

---

### Shielded/Armored Cable

Shielded cable contains all of the general benefits of multi-conductor cable with the added benefit of a copper braided shield that can contain much of the noise generated by a typical AC Drive. Use shielded cable for installations with sensitive equipment such as weigh scales, capacitive proximity switches, and other devices that can be affected by electrical noise in the distribution system. Applications with large numbers of drives in a similar location, imposed EMC regulations, or a high degree of communications/networking are also good candidates for shielded cable.

Shielded cable can also help reduce shaft voltage and induced bearing currents for some applications. In addition, the increased impedance of shielded cable can help extend the distance that the motor can be from the drive without the addition of motor protective devices, such as terminator networks. Refer to Reflected Wave in Wiring and Grounding Guidelines for PWM AC Drives, publication [DRIVES-IN001](#).

Consider the general specifications of the environment of the installation, including temperature, flexibility, moisture characteristics, and chemical resistance. In addition, a braided shield can be included and be specified by the cable manufacturer as having coverage of at least 75%. An additional foil shield can greatly improve noise containment.

A good example of recommended cable is Belden 295xx (xx determines gauge). This cable has four Cross-linked Polyethylene (XLPE) insulated conductors with a 100% coverage foil and an 85% coverage copper braided shield (with drain wire) surrounded by a Polyvinyl Chloride (PVC) jacket.

Other types of shielded cable are available, but the use of these types can limit the allowable cable length. For example, some of the newer cables bundle four conductors of THHN wire and wrap them tightly with a foil shield. This type of construction can greatly increase the cable charging current that is required and reduce the overall drive performance. Unless specified in the individual distance tables as tested with the drive, these cables are not recommended and their performance against the lead length limits is not known.

**Table 7 - Recommended Shielded Wire**

Location	Rating/Type	Description
Standard (option 2)	Tray rated 600V, 90 °C (194 °F) RHH/RHW-2 Anixter OLF-7xxxxx or equivalent	Three tinned copper conductors with XLPE insulation. 5 mil single helical copper tape (25% overlap minimum) with three bare copper grounds in contact with the shield. PVC jacket.
Class I and II; Division I and II	Tray rated 600V, 90 °C (194 °F) RHH/RHW-2 Anixter 7V-7xxxx-3G or equivalent	Three bare copper conductors with XLPE insulation and impervious corrugated continuously welded aluminum armor. Black sunlight resistant PVC jacket overall. Three copper grounds on #10 AWG and smaller.



**ATTENTION:** To avoid a possible shock hazard caused by induced voltages, unused wires in the conduit must be grounded at both ends. Also, if a drive sharing a conduit is being serviced or installed, disable all of the drives that are using that conduit. This helps minimize the possible shock hazard from cross coupled motor leads.



### *Motor Cable Lengths*

Typically, motor lead lengths less than 30 m (approximately 100 ft) are acceptable. However, if your application requires longer lengths, refer to Wiring and Grounding Guidelines for Pulse Width Modulated (PWM) AC Drives, publication [DRIVES-IN001](#), for details.

### **Motor Overload Protection**

Class 10 motor overload protection according to NEC article 430 and motor over-temperature protection according to NEC article 430.126 (A)(2).  
UL 508C File E59272.

### **Drive, Fuse, and Circuit Breaker Ratings**

The tables on the following pages provide recommended AC line input fuse and circuit breaker information. See Fusing and Circuit Breakers below for UL and IEC requirements. Sizes listed are the recommended sizes based on 40 °C (104 °F) and the U.S. NEC. Other country, state, or local codes can require different ratings.

#### *Fusing*

The recommend fuse types are listed below. If available current ratings do not match those listed in the tables provided, choose the next higher fuse rating.

- IEC – BS88 (British Standard) Parts 1 & 2, EN60269-1, Parts 1 & 2<sup>(1)</sup>, type gG or equivalent should be used.
- UL – UL Class CC, T, RK1, or J should be used.

#### *Circuit Breakers*

The “non-fuse” listings in the following tables include inverse time circuit breakers, instantaneous trip circuit breakers (motor circuit protectors) and 140M self-protected combination motor controllers. If one of these is chosen as the desired protection method, the following requirements apply:

- IEC – Both types of circuit breakers and 140M self-protected combination motor controllers are acceptable for IEC installations.
- UL – Only inverse time circuit breakers and the specified 140M self-protected combination motor controllers are acceptable for UL installations.

(1) Typical designations include, but may not be limited to the following; Parts 1 & 2: AC, AD, BC, BD, CD, DD, ED, EFS, EF, FF, FG, GF, GG, GH.

**Table 8 - 208/240 Volt AC Three-phase Input Drive Ratings and Input Protection Devices**

Cat. No.	Frame <sup>(1)</sup>	Hp Rating		Input Ratings		Output Amps			Dual Element Time Delay Fuse		Non-time Delay Fuse		Circuit Breaker <sup>(4)</sup>	Motor Circuit Protector <sup>(6)</sup>	140M Motor Protector with Adjustable Current Range <sup>(7) (8)</sup>			
		ND	HD	Amps	kVA	Cont.	1 Min.	3 Sec.	Min <sup>(2)</sup>	Max <sup>(3)</sup>	Min <sup>(2)</sup>	Max <sup>(3)</sup>	Max <sup>(5)</sup>	Max <sup>(5)</sup>	Available Catalog Numbers <sup>(9)</sup>			Minimum Enclosure Volume (in. <sup>3</sup> ) <sup>(10)</sup>
<b>208 Volt AC Input</b>																		
20AB2P2	A	0.5	0.33	2.9	1.1	2.5	2.7	3.7	6	6	6	10	15	7	140M-C2E-B40	140M-D8E-B40	–	3441
20AB4P2	A	1	0.75	5.6	2	4.8	5.5	7.4	10	10	10	17.5	15	7	140M-C2E-B63	140M-D8E-B63	–	3441
20AB6P8	B	2	1.5	10	3.6	7.8	10.3	13.8	15	15	15	30	30	15	140M-C2E-C10	140M-D8E-C10	140M-F8E-C10	3441
20AB9P6	B	3	2	14	5.1	11	12.1	16.5	20	25	20	40	40	30	140M-C2E-C16	140M-D8E-C16	140M-F8E-C16	3441
20AB015	C	5	3	16	5.8	17.5	19.2	26.6	20	35	20	70	70	30	140M-C2E-C20	140M-D8E-C20	140M-F8E-C20	3441
20AB022	D	7.5	5	23.3	8.3	25.3	27.8	37.9	30	50	30	100	100	30	–	140M-D8E-C25	140M-F8E-C25	5098
20AB028	D	10	7.5	29.8	10.7	32.2	37.9	50.6	40	70	40	125	125	50	–	–	140M-F8E-C32	5098
20AB042	D	15	10	39.8	14.3	43	55.5	74	60	100	60	175	175	70	–	–	140M-F8E-C45	5098
20AB054	E	20	15	57.5	20.7	62.1	72.4	96.6	80	125	80	200	200	100	–	–	–	–
20AB070	E	25	20	72.3	26.0	78.2	93.1	124	90	175	90	300	300	100	–	–	–	–
<b>240 Volt AC Input</b>																		
20AB2P2	A	0.5	0.33	2.5	1.1	2.2	2.4	3.3	3	4.5	3	8	15	3	140M-C2E-B25	140M-D8E-B25	–	3441
20AB4P2	A	1	0.75	4.8	2	4.2	4.8	6.4	6	9	6	15	15	7	140M-C2E-B63	140M-D8E-B63	–	3441
20AB6P8	B	2	1.5	8.7	3.6	6.8	9	12	15	15	15	25	25	15	140M-C2E-C10	140M-D8E-C10	140M-F8E-C10	3441
20AB9P6	B	3	2	12.2	5.1	9.6	10.6	14.4	20	20	20	35	35	15	140M-C2E-C16	140M-D8E-C16	140M-F8E-C16	3441
20AB015	C	5	3	13.9	5.8	15.3	17.4	23.2	20	30	20	60	60	30	140M-C2E-C16	140M-D8E-C16	140M-F8E-C16	3441
20AB022	D	7.5	5	19.9	8.3	22	24.4	33	25	45	25	80	80	30	–	140M-D8E-C25	140M-F8E-C25	5098
20AB028	D	10	7.5	25.7	10.7	28	33	44	35	60	35	110	110	50	–	–	140M-F8E-C32	5098
20AB042	D	15	10	38.7	16.1	42	46.2	63	50	90	50	150	150	50	–	–	140M-F8E-C45	5098
20AB054	E	20	15	49.8	20.7	54	63	84	60	100	60	200	200	100	–	–	–	–
20AB070	E	25	20	64.5	26.8	70	81	108	90	150	90	275	275	100	–	–	–	–

See page 29 for notes.

**Table 9 - 400/480 Volt AC Three-phase Input Drive Ratings and Input Protection Devices**

Cat. No.	Frame <sup>(1)</sup>	Hp Rating		Input Ratings		Output Amps			Dual Element Time Delay Fuse		Non-time Delay Fuse		Circuit Breaker <sup>(4)</sup>	Motor Circuit Protector <sup>(6)</sup>	140M Motor Protector with Adjustable Current Range <sup>(7) (8)</sup>			
		ND	HD	Amps	kVA	Cont.	1 Min.	3 Sec.	Min <sup>(2)</sup>	Max <sup>(3)</sup>	Min <sup>(2)</sup>	Max <sup>(3)</sup>	Max <sup>(5)</sup>	Max <sup>(5)</sup>	Available Catalog Numbers <sup>(9)</sup>			Minimum Enclosure Volume (in. <sup>3</sup> ) <sup>(10)</sup>
<b>400 Volt AC Input</b>																		
20AC1P3	A	0.37	0.25	1.6	1.1	1.3	1.4	1.9	3	3	3	5	15	3	140M-C2E-B16	–	–	3441
20AC2P1	A	0.75	0.55	2.5	1.8	2.1	2.4	3.2	4	6	4	8	15	7	140M-C2E-B25	140M-D8E-B25	–	3441
20AC3P5	A	1.5	1.1	4.3	3	3.5	4.5	6	6	6	6	12	15	7	140M-C2E-B63	140M-D8E-B63	–	3441
20AC5P0	B	2.2	1.5	6.5	4.5	5	5.5	7.5	10	10	10	20	20	15	140M-C2E-C10	140M-D8E-C10	140M-F8E-C10	3441
20AC8P7	B	4	3	11.3	7.8	8.7	9.9	13.2	15	17.5	15	30	30	15	140M-C2E-C16	140M-D8E-C16	140M-F8E-C16	3441
20AC011	C	5.5	4	10.5	7.6	11.5	13	17.4	15	25	15	45	40	15	140M-C2E-C16	140M-D8E-C16	140M-F8E-C16	3441
20AC015	C	7.5	5.5	15.1	10.4	15.4	17.2	23.1	20	30	20	60	60	20	140M-C2E-C16	140M-D8E-C16	140M-F8E-C16	3441
20AC022	D	11	7.5	21.9	15.2	22	24.2	33	30	45	30	80	80	30	–	140M-D8E-C25	140M-F8E-C25	5098
20AC030	D	15	11	30.3	21	30	33	45	40	60	40	120	120	50	–	–	140M-F8E-C32	5098
20AC037	D	18.5	15	35	24.3	37	45	60	50	80	50	125	140	50	–	–	140M-F8E-C45	5098
20AC043	D	22	18.5	40.7	28.2	43	56	74	60	90	60	150	160	70	–	–	–	–
20AC060	E	30	22	56.8	39.3	60	66	90	80	125	80	225	240	80	–	–	–	–
20AC072	E	37	30	68.9	47.8	72	90	120	90	150	90	250	280	100	–	–	–	–
<b>480 Volt AC Input</b>																		
20AD1P1	A	0.5	0.33	1.3	1.1	1.1	1.2	1.6	3	3	3	4	15	3	140M-C2E-B16	–	–	3441
20AD2P1	A	1	0.75	2.4	2	2.1	2.4	3.2	3	6	3	8	15	3	140M-C2E-B25	140M-D8E-B25	–	3441
20AD3P4	A	2	1.5	3.8	3.2	3.4	4.5	6	6	6	6	12	15	7	140M-C2E-B40	140M-D8E-B40	–	3441
20AD5P0	B	3	2	5.6	4.7	5	5.5	7.5	10	10	10	20	20	15	140M-C2E-B63	140M-D8E-B63	–	3441
20AD8P0	B	5	3	9.8	8.4	8	8.8	12	15	15	15	30	30	15	140M-C2E-C10	140M-D8E-C10	140M-F8E-C10	3441
20AD011	C	7.5	5	9.4	7.9	11	12.1	16.5	15	20	15	40	40	15	140M-C2E-C16	140M-D8E-C16	140M-F8E-C16	3441
20AD014	C	10	7.5	12.4	10.4	14	16.5	22	20	30	20	50	50	20	140M-C2E-C16	140M-D8E-C16	140M-F8E-C16	3441

**Table 9 - 400/480 Volt AC Three-phase Input Drive Ratings and Input Protection Devices (continued)**

Cat.No.	Frame <sup>(1)</sup>	Hp Rating		Input Ratings		Output Amps			Dual Element Time Delay Fuse		Non-time Delay Fuse		Circuit Breaker <sup>(4)</sup>	Motor Circuit Protector <sup>(6)</sup>	140M Motor Protector with Adjustable Current Range <sup>(7) (8)</sup>			
		ND	HD	Amps	kVA	Cont.	1 Min.	3 Sec.	Min <sup>(2)</sup>	Max <sup>(3)</sup>	Min <sup>(2)</sup>	Max <sup>(3)</sup>	Max <sup>(5)</sup>	Max <sup>(5)</sup>	Available Catalog Numbers <sup>(9)</sup>		Minimum Enclosure Volume (in. <sup>3</sup> ) <sup>(10)</sup>	
20AD022	D	15	10	19.9	16.6	22	24.2	33	25	45	25	80	80	30	—	140M-D8E-C25	140M-F8E-C25	5098
20AD027	D	20	15	24.8	20.6	27	33	44	35	60	35	100	100	50	—	—	140M-F8E-C32	5098
20AD034	D	25	20	31.2	25.9	34	40.5	54	40	70	40	125	125	50	—	—	140M-F8E-C45	5098
20AD040	D	30	25	36.7	30.5	40	51	68	50	90	50	150	150	50	—	—	140M-F8E-C45	5098
20AD052	E	40	30	47.7	39.7	52	60	80	60	110	60	200	200	70	—	—	—	—
20AD065	E	50	40	59.6	49.6	65	78	104	80	125	80	250	250	100	—	—	—	—

See page 29 for notes.

**Table 10 - 600 Volt AC Three-phase Input Drive Ratings and Input Protection Devices**

Cat.No.	Frame <sup>(1)</sup>	Hp Rating		Input Ratings		Output Amps			Dual Element Time Delay Fuse		Non-time Delay Fuse		Circuit Breaker <sup>(4)</sup>	Motor Circuit Protector <sup>(6)</sup>	140M Motor Protector with Adjustable Current Range <sup>(7) (8)</sup>			
		ND	HD	Amps	kVA	Cont.	1 Min.	3 Sec.	Min <sup>(2)</sup>	Max <sup>(3)</sup>	Min <sup>(2)</sup>	Max <sup>(3)</sup>	Max <sup>(5)</sup>	Max <sup>(5)</sup>	Available Catalog Numbers <sup>(9)</sup>		Minimum Enclosure Volume (in. <sup>3</sup> ) <sup>(10)</sup>	
<b>600 Volt AC Input</b>																		
20AE0P9	A	0.5	0.33	1.3	1.3	0.9	1.1	1.4	3	3	3	3.5	15	3	140M-C2E-B16	—	—	3441
20AE1P7	A	1	0.75	1.9	2	1.7	2	2.6	3	6	3	6	15	3	140M-C2E-B25	140M-D8E-B25	—	3441
20AE2P7	A	2	1.5	3	3.1	2.7	3.6	4.8	4	6	4	10	15	7	140M-C2E-B40	140M-D8E-B40	—	3441
20AE3P9	B	3	2	4.4	4.5	3.9	4.3	5.9	6	8	6	15	15	7	—	140M-D8E-B63	—	3441
20AE6P1	B	5	3	7.5	7.8	6.1	6.7	9.2	10	12	10	20	20	15	—	140M-D8E-C10	140M-F8E-C10	3441
20AE9P0	C	7.5	5	7.7	8	9	9.9	13.5	10	20	10	35	35	15	—	140M-D8E-C10	140M-F8E-C10	3441
20AE011	C	10	7.5	9.8	10.1	11	13.5	18	15	20	15	40	40	15	—	140M-D8E-C16	140M-F8E-C16	3441
20AE017	D	15	10	15.3	15.9	17	18.7	25.5	20	35	20	60	60	30	—	—	140M-F8E-C20	5098
20AE022	D	20	15	20	20.8	22	25.5	34	25	45	25	80	80	30	—	—	140M-F8E-C25	5098
20AE027	D	25	20	24.8	25.7	27	33	44	35	60	35	100	100	50	—	—	140M-F8E-C25	5098
20AE032	D	30	25	29.4	30.5	32	40.5	54	40	70	40	125	125	50	—	—	140M-F8E-C32	5098
20AE041	E	40	30	37.6	39.1	41	48	64	50	90	50	150	150	100	—	—	—	—
20AE052	E	50	40	47.7	49.6	52	61.5	82	60	110	60	200	200	100	—	—	—	—

See page 29 for notes.

**Table 11 - 208/240 Volt AC Single-phase Input Drive Ratings and Input Protection Devices**

Cat.No.	Frame <sup>(1)</sup>	Hp Rating		Input Ratings		Output Amps			Dual Element Time Delay Fuse		Non-time Delay Fuse		Circuit Breaker <sup>(4)</sup>	Motor Circuit Protector <sup>(6)</sup>	140M Motor Protector with Adjustable Current Range <sup>(7) (8)</sup>			
		ND	HD	Amps	kVA	Cont.	1 Min.	3 Sec.	Min <sup>(2)</sup>	Max <sup>(3)</sup>	Min <sup>(2)</sup>	Max <sup>(3)</sup>	Max <sup>(5)</sup>	Max <sup>(5)</sup>	Available Catalog Numbers <sup>(9)</sup>		Minimum Enclosure Volume (in. <sup>3</sup> ) <sup>(10)</sup>	
<b>208 Volt AC Input</b>																		
20AB2P2	A	0.5	0.33	2.9	0.6	1.3	1.6	1.9	6	6	6	10	15	7	140M-C2E-B40	140M-D8E-B40	—	3441
20AB4P2	A	1	0.75	5.6	1	2.4	2.8	3.7	10	10	10	17.5	15	7	140M-C2E-B63	140M-D8E-B63	—	3441
20AB6P8	B	2	1.5	10	1.8	3.9	5.2	6.9	15	15	15	30	30	15	140M-C2E-C10	140M-D8E-C10	140M-F8E-C10	3441
20AB9P6	B	3	2	14	2.6	5.5	6.1	8.3	20	25	20	40	40	30	140M-C2E-C16	140M-D8E-C16	140M-F8E-C16	3441
20AB015	C	5	3	16	2.9	8.6	9.6	13.3	20	35	20	70	70	30	140M-C2E-C20	140M-D8E-C20	140M-F8E-C20	3441
20AB022	D	7.5	5	23.3	4.2	12.7	13.9	19.0	30	50	30	100	100	30	—	140M-D8E-C25	140M-F8E-C25	5098
20AB028	D	10	7.5	29.8	5.4	16.1	19	25.3	40	70	40	125	125	50	—	—	140M-F8E-C32	5098
20AB042	D	15	10	39.8	7.2	21.5	27.8	37	60	100	60	175	175	70	—	—	140M-F8E-C45	5098
20AB054	E	20	15	57.5	10.4	31.1	36.2	48.3	80	125	80	200	200	100	—	—	—	—
20AB070	E	25	20	72.3	13.0	39.1	46.6	62	90	175	90	300	300	100	—	—	—	—
<b>240 Volt AC Input</b>																		
20AB2P2	A	0.5	0.33	2.5	0.6	1.1	1.2	1.7	3	4.5	3	8	15	3	140M-C2E-B25	140M-D8E-B25	—	3441
20AB4P2	A	1	0.75	4.8	1	2.1	2.4	3.2	6	9	6	15	15	7	140M-C2E-B63	140M-D8E-B63	—	3441
20AB6P8	B	2	1.5	8.7	1.8	3.4	4.5	6	15	15	15	25	25	15	140M-C2E-C10	140M-D8E-C10	140M-F8E-C10	3441

**Table 11 - 208/240 Volt AC Single-phase Input Drive Ratings and Input Protection Devices (continued)**

Cat.No.	Frame <sup>(1)</sup>	Hp Rating		Input Ratings		Output Amps			Dual Element Time Delay Fuse		Non-time Delay Fuse		Circuit Breaker <sup>(4)</sup>	Motor Circuit Protector <sup>(6)</sup>	140M Motor Protector with Adjustable Current Range <sup>(7) (8)</sup>			Minimum Enclosure Volume (in. <sup>3</sup> ) <sup>(10)</sup>
		ND	HD	Amps	kVA	Cont.	1 Min.	3 Sec.	Min <sup>(2)</sup>	Max <sup>(3)</sup>	Min <sup>(2)</sup>	Max <sup>(3)</sup>	Max <sup>(5)</sup>	Max <sup>(5)</sup>	Available Catalog Numbers <sup>(9)</sup>			
20AB9P6	B	3	2	12.2	2.6	4.8	5.3	7.2	20	20	20	35	35	15	140M-C2E-C16	140M-D8E-C16	140M-F8E-C16	3441
20AB015	C	5	3	13.9	2.9	7.7	8.7	11.6	20	30	20	60	60	30	140M-C2E-C16	140M-D8E-C16	140M-F8E-C16	3441
20AB022	D	7.5	5	19.9	4.2	11	12.2	16.5	25	45	25	80	80	30	—	140M-D8E-C25	140M-F8E-C25	5098
20AB028	D	10	7.5	25.7	5.4	14	16.5	22	35	60	35	110	110	50	—	—	140M-F8E-C32	5098
20AB042	D	15	10	38.7	8.1	21	23.1	31.5	50	90	50	150	150	50	—	—	140M-F8E-C45	5098
20AB054	E	20	15	49.8	10.4	27	31.5	42	60	100	60	200	200	100	—	—	—	—
20AB070	E	25	20	64.5	13.4	35	40.5	54	90	150	90	275	275	100	—	—	—	—

See [page 29](#) for notes.

**Table 12 - 400/480 Volt AC Single-phase Input Drive Ratings and Input Protection Devices**

Cat.No.	Frame <sup>(1)</sup>	Hp Rating		Input Ratings		Output Amps			Dual Element Time Delay Fuse		Non-time Delay Fuse		Circuit Breaker <sup>(4)</sup>	Motor Circuit Protector <sup>(6)</sup>	140M Motor Protector with Adjustable Current Range <sup>(7) (8)</sup>			Minimum Enclosure Volume (in. <sup>3</sup> ) <sup>(10)</sup>
		ND	HD	Amps	kVA	Cont.	1 Min.	3 Sec.	Min <sup>(2)</sup>	Max <sup>(3)</sup>	Min <sup>(2)</sup>	Max <sup>(3)</sup>	Max <sup>(5)</sup>	Max <sup>(5)</sup>	Available Catalog Numbers <sup>(9)</sup>			
<b>400 Volt AC Input</b>																		
20AC1P3	A	0.37	0.25	1.6	0.6	0.7	0.7	1.0	3	3	3	5	15	3	140M-C2E-B16	—	—	3441
20AC2P1	A	0.75	0.55	2.5	0.9	1.1	1.2	1.6	4	6	4	8	15	7	140M-C2E-B25	140M-D8E-B25	—	3441
20AC3P5	A	1.5	1.1	4.3	1.5	1.8	2.3	3	6	6	6	12	15	7	140M-C2E-B63	140M-D8E-B63	—	3441
20AC5P0	B	2.2	1.5	6.5	2.3	2.5	2.8	3.8	10	10	10	20	20	15	140M-C2E-C10	140M-D8E-C10	140M-F8E-C10	3441
20AC8P7	B	4	3	11.3	3.9	4.4	5.0	6.6	15	17.5	15	30	30	15	140M-C2E-C16	140M-D8E-C16	140M-F8E-C16	3441
20AC011	C	5.5	4	11	3.8	5.8	6.5	8.7	15	25	15	45	40	15	140M-C2E-C16	140M-D8E-C16	140M-F8E-C16	3441
20AC015	C	7.5	5.5	15.1	5.2	7.7	8.6	11.6	20	30	20	60	60	20	140M-C2E-C16	140M-D8E-C16	140M-F8E-C16	3441
20AC022	D	11	7.5	21.9	7.6	11	12.1	16.5	30	45	30	80	80	30	—	140M-D8E-C25	140M-F8E-C25	5098
20AC030	D	15	11	30.3	10.5	15	16.5	22.5	40	60	40	120	120	50	—	—	140M-F8E-C32	5098
20AC037	D	18.5	15	35	12.2	18.5	22.5	30	50	80	50	125	140	50	—	—	140M-F8E-C45	5098
20AC043	D	22	18.5	40.7	14.1	21.5	28	37	60	90	60	150	160	70	—	—	—	—
20AC060	E	30	22	56.8	19.7	30	33	45	80	125	80	225	240	80	—	—	—	—
20AC072	E	37	30	68.9	23.9	36	45	60	90	150	90	250	280	100	—	—	—	—
<b>480 Volt AC Input</b>																		
20AD1P1	A	0.5	0.33	1.3	0.6	0.6	0.6	0.8	3	3	3	4	15	3	140M-C2E-B16	—	—	3441
20AD2P1	A	1	0.75	2.4	1	1.1	1.2	1.6	3	6	3	8	15	3	140M-C2E-B25	140M-D8E-B25	—	3441
20AD3P4	A	2	1.5	3.8	1.6	1.7	2.3	3	6	6	6	12	15	7	140M-C2E-B40	140M-D8E-B40	—	3441
20AD5P0	B	3	2	5.6	2.4	2.5	2.6	3.8	10	10	10	20	20	15	140M-C2E-B63	140M-D8E-B63	—	3441
20AD8P0	B	5	3	9.8	4.2	4	4.4	6	15	15	15	30	30	15	140M-C2E-C10	140M-D8E-C10	140M-F8E-C10	3441
20AD011	C	7.5	5	9.5	4	5.5	6.1	8.3	15	20	15	40	40	15	140M-C2E-C16	140M-D8E-C16	140M-F8E-C16	3441
20AD014	C	10	7.5	12.5	5.2	7	8.3	11	20	30	20	50	50	20	140M-C2E-C16	140M-D8E-C16	140M-F8E-C16	3441
20AD022	D	15	10	19.9	8.3	11	12.1	16.5	25	45	25	80	80	30	—	140M-D8E-C25	140M-F8E-C25	5098
20AD027	D	20	15	24.8	10.3	13.5	16.5	22	35	60	35	100	100	50	—	—	140M-F8E-C32	5098
20AD034	D	25	20	31.2	13	17	20.3	27	40	70	40	125	125	50	—	—	140M-F8E-C45	5098
20AD040	D	30	25	36.7	19.9	20	25.5	34	50	90	50	150	150	50	—	—	140M-F8E-C45	5098
20AD052	E	40	30	47.7	12.8	26	30	40	60	110	60	200	200	70	—	—	—	—
20AD065	E	50	40	59.6	24.8	32.5	39	52	80	125	80	250	250	100	—	—	—	—

See [page 29](#) for notes.

**Table 13 - 600 Volt AC Single-phase Input Drive Ratings and Input Protection Devices**

Cat. No.	Frame <sup>(1)</sup>	Hp Rating		Input Ratings		Output Amps			Dual Element Time Delay Fuse		Non-time Delay Fuse		Circuit Breaker <sup>(4)</sup>	Motor Circuit Protector <sup>(6)</sup>	140M Motor Protector with Adjustable Current Range <sup>(7) (8)</sup>			
		ND	HD	Amps	kVA	Cont.	1 Min.	3 Sec.	Min <sup>(2)</sup>	Max <sup>(3)</sup>	Min <sup>(2)</sup>	Max <sup>(3)</sup>	Max <sup>(5)</sup>	Max <sup>(5)</sup>	Available Catalog Numbers <sup>(9)</sup>		Minimum Enclosure Volume (in. <sup>3</sup> ) <sup>(10)</sup>	
<b>600 Volt AC Input</b>																		
20AE0P9	A	0.5	0.33	1.3	0.7	0.5	0.6	0.7	3	3	3	3.5	15	3	140M-C2E-B16	–	–	3441
20AE1P7	A	1	0.75	1.9	1	0.9	1	1.3	3	6	3	6	15	3	140M-C2E-B25	140M-D8E-B25	–	3441
20AE2P7	A	2	1.5	3	1.6	1.4	1.8	2.4	4	6	4	10	15	7	140M-C2E-B40	140M-D8E-B40	–	3441
20AE3P9	B	3	2	4.4	2.3	2	2.2	3	6	8	6	15	15	7	–	140M-D8E-B63	–	3441
20AE6P1	B	5	3	7.5	3.9	3.1	3.4	4.6	10	12	10	20	20	15	–	140M-D8E-C10	140M-F8E-C10	3441
20AE9P0	C	7.5	5	7.7	4	4.5	5	6.8	10	20	10	35	35	15	–	140M-D8E-C10	140M-F8E-C10	3441
20AE011	C	10	7.5	9.8	5.1	5.5	6.8	9	15	20	15	40	40	15	–	140M-D8E-C16	140M-F8E-C16	3441
20AE017	D	15	10	15.3	8	8.5	9.4	12.8	20	35	20	60	60	30	–	–	140M-F8E-C20	5098
20AE022	D	20	15	20	10.4	11	12.8	17	25	45	25	80	80	30	–	–	140M-F8E-C25	5098
20AE027	D	25	20	24.8	12.9	13.5	16.5	22	35	60	35	100	100	50	–	–	140M-F8E-C25	5098
20AE032	D	30	25	29.4	15.3	16	20.3	27	40	70	40	125	125	50	–	–	140M-F8E-C32	5098
20AE041	E	40	30	37.6	19.6	20.5	24	32	50	90	50	150	150	100	–	–	–	–
20AE052	E	50	40	47.7	24.8	26	30.8	41	60	110	60	200	200	100	–	–	–	–

- (1) For IP 66 (NEMA/UL Type 4X/12) enclosures, drives listed as Frame A increase to Frame B and drives listed as Frame C increase to Frame D.
- (2) Minimum protection device size is the lowest rated device that supplies maximum protection without nuisance tripping.
- (3) Maximum protection device size is the highest rated device that supplies drive protection. For US NEC, minimum size is 125% of motor FLA. Ratings shown are maximum.
- (4) Circuit Breaker - inverse time breaker. For US NEC, minimum size is 125% of motor FLA. Ratings shown are maximum.
- (5) Maximum allowable rating by US NEC. Exact size must be chosen for each installation.
- (6) Motor Circuit Protector - instantaneous trip circuit breaker. For US NEC, minimum size is 125% of motor FLA. Ratings shown are maximum.
- (7) Bulletin 140M with adjustable current range must have the current trip set to the minimum range that the device will not trip.
- (8) Manual Self-Protected (Type E) Combination Motor Controller, UL listed for 208 Wye or Delta, 240 Wye or Delta, 480Y/277 or 600Y/347. Not UL listed for use on 480V or 600V Delta/Delta, corner ground, or high-resistance ground systems.
- (9) The AIC ratings of the Bulletin 140M Motor Protector Circuit Breakers may vary. See [Bulletin 140M Motor Protection Circuit Breakers Application Ratings](#).
- (10) When using a Manual Self-Protected (Type E) Combination Motor Controller, the drive must be installed in a ventilated or non-ventilated enclosure with the minimum volume specified in this column. Application specific thermal considerations may require a larger enclosure.

## Disconnecting MOVs and Common Mode Capacitors

Before proceeding, be sure that all power to the drive has been removed.



**ATTENTION:** Only qualified personnel familiar with adjustable frequency AC drives and associated machinery can perform maintenance/repair of the system. Failure to comply can result in personal injury and/or equipment damage.



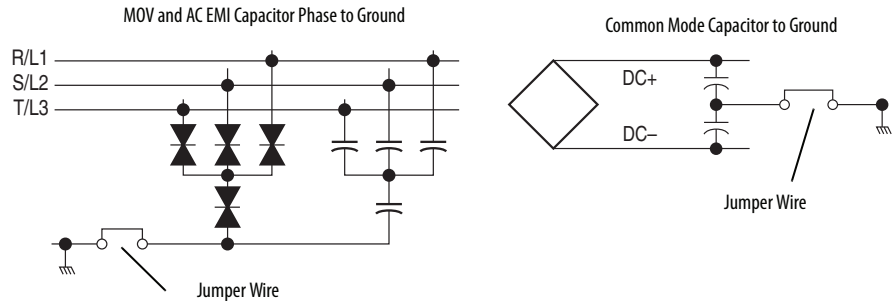
**ATTENTION:** To avoid an electric shock hazard, verify that the voltage on the bus capacitors has discharged before performing any work on the drive. Measure the DC bus voltage at the +DC and –DC terminals of the Power Terminal Block (refer to [Figure 8 on page 21](#) for location). The voltage must be zero.



**ATTENTION:** The following information is merely a guide for proper installation. Rockwell Automation cannot assume responsibility for the compliance or the noncompliance to any code, national, local or otherwise for the proper installation of this drive or associated equipment. A hazard of personal injury and/or equipment damage exists if codes are ignored during installation.

**IMPORTANT** To guard against unstable operation and/or damage, you must configure the drive as shown in [Table 14 on page 30](#).

The PowerFlex 70 drive contains protective MOVs and common mode capacitors referenced to ground (see below).



**IMPORTANT** All PowerFlex 70 240V, 480V, and 600V AC input drives are shipped with the DC bus common mode capacitors referenced to ground. Specific drive catalog numbers are listed below.

Voltage	Cat. No.
240	20AB...
480	20AD...
600	20AE...

See [Wiring and Grounding Guidelines for PWM AC Drives](#), publication [DRIVES-IN001](#) for information on ungrounded systems.

**Table 14 - Recommended Power Jumper Configurations**

Power Source Type <sup>(1)</sup>	MOV/Input Filter Caps <sup>(2)</sup>	DC Bus Common Mode Caps	Benefits Of Correct Configuration on Power Source Type
Unknown	Connected	Disconnected	See solid and non-solid ground points below
<b>Solid ground</b> <ul style="list-style-type: none"> <li>AC fed, solidly grounded</li> <li>DC fed from passive rectifier that has an AC source and solid ground</li> </ul>	Connected	Connected	<ul style="list-style-type: none"> <li>UL compliance</li> <li>Reduced electrical noise</li> <li>Most stable operation</li> <li>EMC compliance</li> <li>Reduced voltage stress on components and motor bearings</li> </ul>
<b>Non-solid ground</b> <ul style="list-style-type: none"> <li>AC fed ungrounded</li> <li>Impedance grounded</li> <li>High resistive ground</li> <li>B phase ground</li> <li>Regenerative unit such as common DC bus supply and brake</li> <li>DC fed from an active converter</li> </ul>	Disconnected	Disconnected	Helps to avoid severe equipment damage when a ground fault occurs.

(1) It is highly recommended to accurately determine the power source type and then configure appropriately.

(2) When MOVs are disconnected, the power system must have its own transient protection to ensure known and controlled voltages.

To connect or disconnect these devices, refer to pages [32](#) through [34](#).

**IMPORTANT** Common mode capacitors are required to conform with the EMC directive. Removing the common mode capacitors causes the drive to be non-compliant with the EMC directive.

In addition to the configurations described in this section, install an isolation transformer on an ungrounded distribution system where the line-to-ground voltages on any phase can exceed 125% of the nominal line-to-line voltage. See *Wiring and Grounding Guidelines for PWM AC Drives*, publication [DRIVES-IN001](#) for more information on impedance grounded and ungrounded systems.








*Jumper Installation, Removal, and Storage*

PowerFlex 70 drives utilize plug-in style jumpers. Most drives have a jumper storage area inside the front cover. Store any extra jumpers, or jumpers that have been removed, in this storage area.

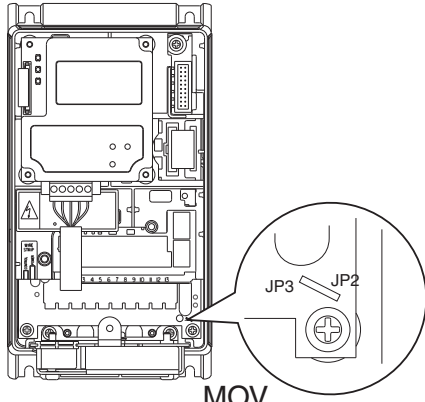
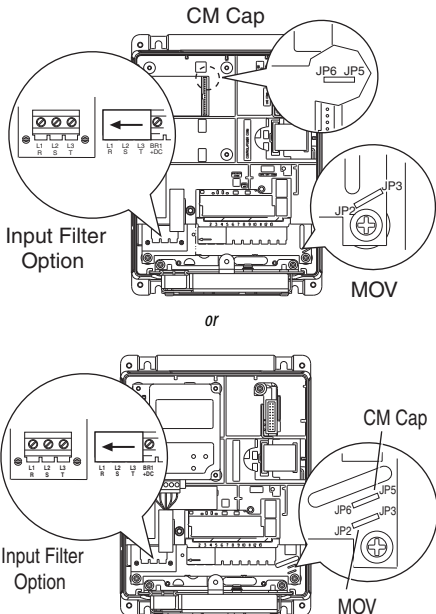
In some cases a protective cover is installed over the jumper pins that extend from the board. If there is a protective cover, remove the cover, install (or remove) the jumper, and replace the cover.

*Drive Identification*

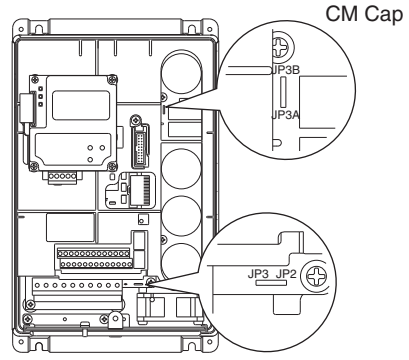
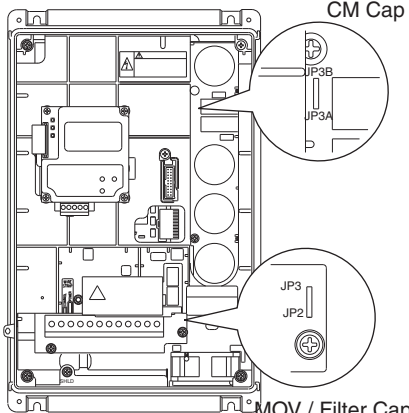
Refer to the drive nameplate and locate the voltage code, frame, and internal EMC option (frame B drives). Use this information to locate the proper procedure in the following tables.

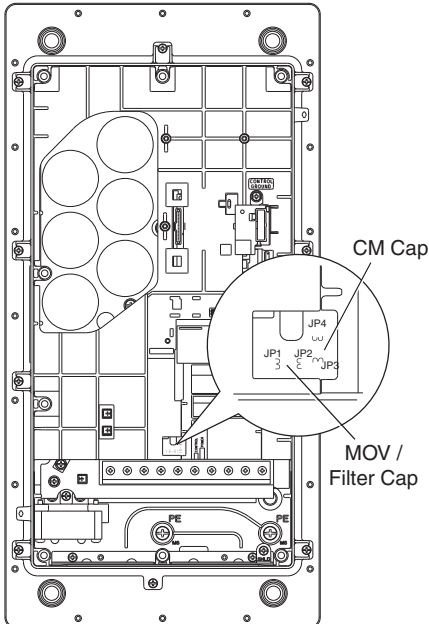
Voltage Code	Internal EMC Option	Frame	
Cat No. 20A <b>D</b> xxx x x xxxxxx		Series: A	 LISTED INDUSTRIAL CONTROL EQUIPMENT 966X  
UL TYPE 1/P20 and 50C (122F) Ambient Limit See Manual for additional ratings		Frame: <b>A</b>	
	400V Class	480V Class	
Normal Duty Power	xxx kW	xxx HP	
Heavy Duty Power	xxx kW	xxx HP	
<i>Input: 3 Phase, 47-63Hz</i>			
AC Voltage Range	342-440	432-528	
Amps	xxx	xxx	
<i>Output: 3 Phase, 0-400 Hz</i>			
AC Voltage Range	0-400	0-460	
Base Frequency (default)	50 Hz	60 Hz	
Continuous Amps	xxx	x	
3 Sec / 60 Sec Ovld Amps	xxx	xxx / xx	
Mfd. in 2008 on Jan 19	Serial No. xxxxxxxx		   Serial Number catalog number/series
	Original Firmware No. x.xxx		
	Mfg. in U.S.A. (FAC1J)		

*Jumper Settings and Locations*

Frame Voltage Code	Factory Default Jumper Settings		Power Source Type
	MOV / Input Filter Caps	DC Bus Common Mode Caps	
B C D E	JP2/JP3 Installed	Not applicable	<p><b>Solid ground</b> Insert jumper at the "JP2/JP3" location.</p> <p><b>Non-solid ground</b> Remove the jumper at "JP2/JP3."</p>
<p><b>A</b></p>  <p style="text-align: center;">MOV</p>			
B D E	JP2/JP3 Installed	JP5/JP6 Not installed	<p><b>Important:</b> The internal EMC filter (input filter) is a factory-installed option on frame B drives. If the option is installed, the drive <b>cannot</b> be used on a non-solid ground power source.</p> <p>To verify: an extra "R, S, T" terminal block is present if the option is installed (as shown). Additionally, the 13th character of the nameplate catalog number is "A" (see <a href="#">page 31</a>).</p> <p><b>Solid ground</b> Install jumpers at both locations (JP2/JP3 and JP5/JP6).</p> <p><b>Non-solid ground</b> Remove the jumper at "JP2/JP3." Verify that the jumper at "JP5/JP6" is also removed. In addition, verify that the input filter option is not installed.</p>
C	JP2/JP3 Installed	JP5/JP6 Installed	
<p><b>B</b></p>  <p style="text-align: center;">or</p>			



Frame Voltage Code	Factory Default Jumper Settings		Power Source Type
	MOV/Input Filter Caps	DC Bus Common Mode Caps	
B D E	JP2/JP3 Installed	JP3A/JP3B Not installed	<p><b>Solid ground</b> Install jumpers at both locations (JP2/JP3 and JP3A/JP3B).</p> <p><b>Non-solid ground</b> Remove the jumper at "JP2/JP3." Verify that the jumper at "JP3A/JP3B" is also removed.</p>
C	JP2/JP3 Installed	JP3A/JP3B Installed	
C			<p><b>Solid ground</b> Install jumpers at both locations (JP2/JP3 and JP3A/JP3B).</p> <p><b>Non-solid ground</b> Remove the jumper at "JP2/JP3." Verify that the jumper at "JP3A/JP3B" is also removed.</p>
	B D E	JP2/JP3 Installed	
C	JP2/JP3 Installed	JP3A/JP3B Installed	<p><b>Solid ground</b> Install jumpers at both locations (JP2/JP3 and JP3A/JP3B).</p> <p><b>Non-solid ground</b> Remove the jumper at "JP2/JP3." Verify that the jumper at "JP3A/JP3B" is also removed.</p>
D			

Frame Voltage Code	Factory Default Jumper Settings		Power Source Type
	MOV / Input Filter Caps	DC Bus Common Mode Caps	
B D E	JP1/JP2 Installed	JP3/JP4 Not installed	<p><b>Solid ground</b> Install jumpers at both locations (JP1/JP2 and JP3/JP4).</p> <p><b>Non-solid ground</b> Remove the jumper at "JP1/JP2." Verify that the jumper at "JP3/JP4" is also removed.</p>
C	JP1/JP2 Installed	JP3/JP4 Installed	
			

## Step 4: I/O Wiring

Important points to remember about I/O wiring:

- Use copper wire. Wire gauge requirements and recommendations are based on 75 °C (167 °F). Do not reduce wire gauge when you are using higher temperature wire.
- Wire with an insulation rating of 600V or greater.
- Control and signal wires must be separated from power wires by at least 0.3 m (1 ft).

**IMPORTANT** I/O terminals labeled “(-)” Digital In Common or “Common” are not connected to earth ground and are designed to greatly reduce common mode interference. Grounding these terminals can cause signal noise.



**ATTENTION:** Hazard of personal injury or equipment damage exists when using bipolar input sources. Noise and drift in sensitive input circuits can cause unpredictable changes in motor speed and direction. Use speed command parameters to help reduce input source sensitivity.

Figure 12 - Typical I/O Terminal Block Location (B frame shown)

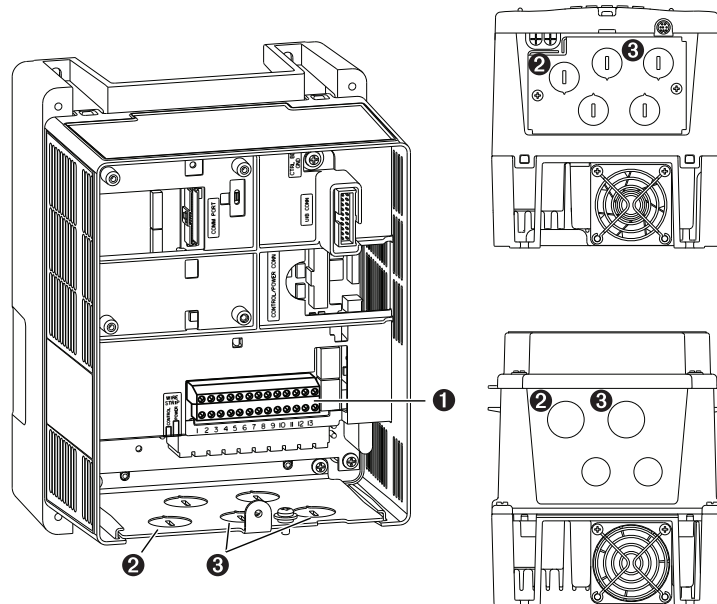


Table 15 - I/O Terminal Block Specifications

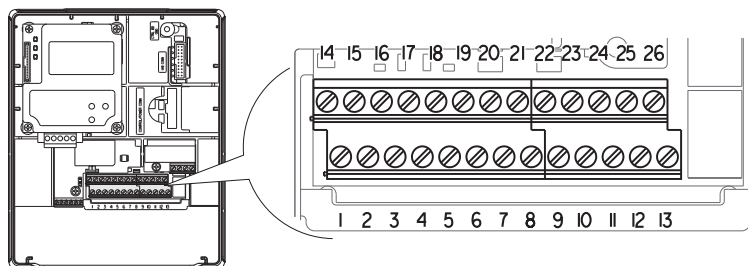
No.	Name	Description	Wire Size Range <sup>(1)</sup>		Torque	
			Max	Min	Max	Recommended
1	I/O terminal block	Signal and control connections	1.5 mm <sup>2</sup> (16 AWG)	0.05 mm <sup>2</sup> (30 AWG)	0.55 N·m (4.9 lb·in)	0.5 N·m (4.4 lb·in)

(1) Maximum / minimum that the terminal block can accept - these are not recommendations.

Table 16 - Wire Routing Recommendations

No.	Description
2	Suggested entry for communication wiring.
3	Suggested entry for I/O and control wiring.

### I/O Terminal Positions



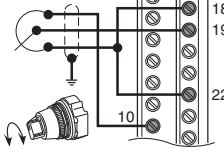
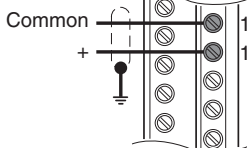
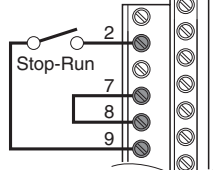
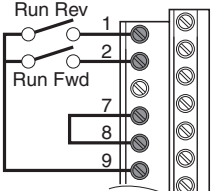
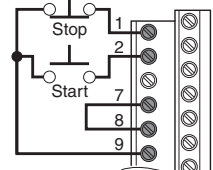
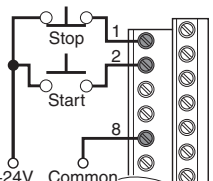
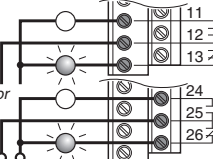
**Table 17 - I/O Terminal Designations – Standard and Enhanced Control**

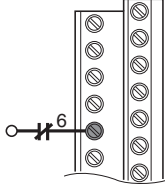
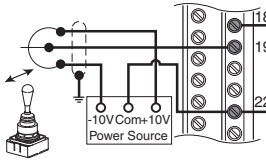
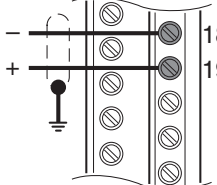
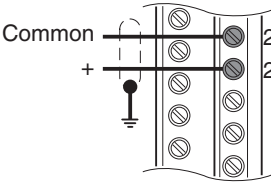
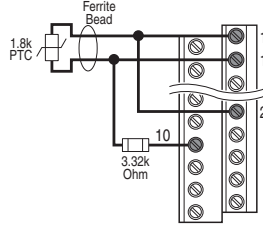
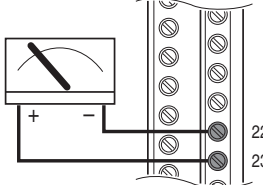
No.	Signal	Factory Default	Description	Related Parameters
1	Digital In 1	Stop – CF (CF = Clear Fault)	11.2 mA at 24V DC 19.2V minimum on state	361...366
2	Digital In 2	Start	3.2V maximum off state	
3	Digital In 3	Auto/Man	<b>Important:</b> Use only 24V DC, not suitable for 115V AC circuitry. Inputs can be wired as sink or source. <b>Important:</b> Digital inputs are not designed to work with a pulsed source.	
4	Digital In 4	Speed Sel 1		
5	Digital In 5	Speed Sel 2		
6	Digital In 6	Speed Sel 3		
7	24V Common	–	Drive supplied power for Digital In1...6 inputs.	–
8	Digital In Common	–	Not intended for use on circuits outside of the drive.	
9	+24V DC	–	150 mA maximum load.	
10	+10V DC Pot Reference	–	2 k ohm minimum load.	–
11	Digital Out 1 – N.O. <sup>(1)</sup>	NOT Fault	<b>Max resistive load</b> 250V AC / 30V DC 50VA / 60 W <b>Max inductive load</b> 250V AC / 30V DC 25 VA / 30 W <b>Min DC load</b> 10 µA, 10 mV DC	380...387
12	Digital Out 1 Common			
13	Digital Out 1 – N.C. <sup>(1)</sup>	Fault		
14	Analog In 1 (– Volts)	<sup>(2)</sup>	Non-isolated, 0...+10V, 10 bit, 100k ohm input impedance. <sup>(3)</sup>	320...327
15	Analog In 1 (+ Volts)	TB Man Ref		
16	Analog In 1 (– Current)	Voltage – Reads value at 14 & 15	Non-isolated, 0...20 mA, 10 bit, 100 ohm input impedance. <sup>(3)</sup>	
17	Analog In 1 (+ Current)			
18	Analog In 2 (– Volts)	<sup>(2)</sup>	Isolated, bipolar, differential, 0...+10V unipolar (10 bit) or ±10V bipolar (10 bit and sign), 100k ohm input impedance. <sup>(4)</sup>	
19	Analog In 2 (+ Volts)	Speed Ref A		
20	Analog In 2 (– Current)	Voltage – Reads value at 18 & 19	Isolated, 0...20 mA, 10 bit and sign, 100 ohm input impedance. <sup>(4)</sup>	
21	Analog In 2 (+ Current)			
22	10V Pot Common Analog Out (– Volts) Analog Out (– Current)	<sup>(2)</sup> Output Freq	0...+10V, 10 bit, 10k ohm (2k ohm minimum) load. 0...20 mA, 10 bit, 400 ohm maximum load. <sup>(5)</sup> Referenced to chassis ground. Common if internal 10V supply (terminal 10) is used.	340...344
23	Analog Out (+ Volts) Analog Out (+ Current)			
24	Digital Out 2 – N.O. <sup>(1)</sup>	Run	See description at No.s 11...13.	380...387
25	Digital Out 2 Common			
26	Digital Out 2 – N.C. <sup>(1)</sup>	NOT Run		

(1) Contacts shown in unpowered state. Any relay programmed as fault or alarm energizes (pick up) when power is applied to drive and deenergizes (drop out) when fault or alarm exists. Relays selected for other functions energize when the condition exists, and deenergize when the condition is removed.  
 (2) These inputs/outputs are dependent on a number of parameters. See the Related Parameters column in [Table 17](#) above.  
 (3) Differential isolation - external source must be less than 10V with respect to PE.  
 (4) Differential isolation - external source must be maintained at less than 160V with respect to PE. Input provides high common mode immunity.  
 (5) Analog output current is available only with enhanced control drives.

## I/O Wiring Examples

This section shows examples of typical I/O wiring.

Input/Output	Connection Example	Required Parameter Settings
<p><b>Potentiometer unipolar speed reference</b> 10k Ohm pot. recommended (2k Ohm minimum)</p>		<p>Select speed reference source: Param. 090 = 2 "Analog In 2" Adjust Scaling: Param. 091, 092, 322, 323 Check results: Param. 017</p>
<p><b>Analog input unipolar speed reference</b> 0...+10V Input</p>	<p>Common +</p> 	<p>Default speed reference source: Param. 090 = 2 "Analog In 2" Adjust Scaling: Param. 091, 092, 325, 326 Check results: Param. 017</p>
<p><b>Two-wire control non-reversing</b> <sup>(1)</sup></p>	<p>Internal supply</p> 	<p>Disable Digital Input 1: Param. 361 = 0 "Not Used" Set Digital Input 2: Param. 362 = 7 "Run"</p>
<p><b>Two-wire control reversing</b> <sup>(1)</sup></p>	<p>Internal supply</p> 	<p>Set Digital Input 1: Param. 361 = 9 "Run Reverse" Set Digital Input 2: Param. 362 = 8 "Run Forward"</p>
<p><b>Three-wire control</b> <sup>(1)</sup></p>	<p>Internal supply</p> 	<p>Use factory default parameter settings. Digital Input 1: Param. 361 = 4 "Stop - CF" Digital Input 2: Param. 362 = 5 "Start"</p>
<p><b>Three-wire control</b> <sup>(1)</sup></p>	<p>External supply</p> 	<p>Use factory default parameter settings. Digital Input 1: Param. 361 = 4 "Stop - CF" Digital Input 2: Param. 362 = 5 "Start"</p>
<p><b>Digital output</b> Form C relays energized in normal state</p>		<p>Select source: Use factory default parameter settings. Digital Out1 Sel: Param. 380 = 1 "Fault" Digital Out2 Sel: Param. 384 = 4 "Run"</p>

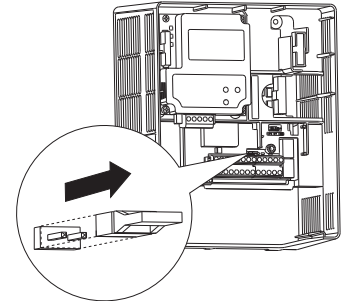
Input/Output	Connection Example	Required Parameter Settings
<p><b>Enable input</b> Shown in enabled state. Important: Digital inputs are not designed to work with a pulsed source.</p>		<p>Standard control Param. 366 = 1 "Enable" Enhanced control Param. 366 = 1 "Enable" For dedicated hardware enable, remove enable jumper (see <a href="#">page 39</a>)</p>
<p><b>Joystick bipolar speed reference</b> ±10V input</p>		<p>Set direction mode: Param. 090 = 2 "Analog In 2" Param. 190 = 1 "Bipolar" Adjust scaling: Param. 091, 092, 325, 326 Check results: Param. 017</p>
<p><b>Analog input bipolar speed reference</b> ±10V input</p>		<p>Adjust scaling: Param. 091, 092, 325, 326 Check results: Param. 017</p>
<p><b>Analog input unipolar speed reference</b> 0...20 mA input</p>		<p>Configure input for current: Param. 320, Bit #1 = 1 "Current" Adjust scaling: Param. 091, 092, 325, 326 Check results: Param. 017</p>
<p><b>Analog input, positive temperature coefficient</b> PTC OT set &gt; 5V PTC OT cleared &lt; 4V PTC Short &lt; 0.2V</p>		<p>Set Fault Config 1: Param. 238, Bit #7 = 1 "Enabled" Set Alarm Config 1: Param. 259, Bit #11 = 1 "Enabled"</p>
<p><b>Analog output unipolar</b> 0...+10V output. Can drive a 2k Ohm load (25 mA short circuit limit) 0...20 mA output. 400 Ohm max load.</p>		<p>Select source value: Param. 342 Adjust scaling: Param. 343, 344</p>

(1) Digital inputs can be wired for 2-wire or 3-wire start/stop control. Three-wire control requires separate Start and Stop signals. Two-wire control requires one input signal configured Run-Hi/Stop-Lo.

## Hardware Enable Circuitry (only enhanced control)

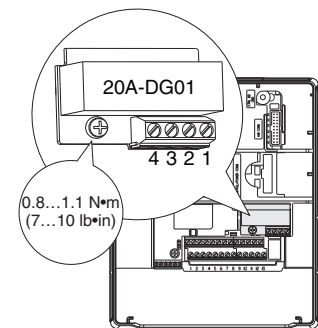
By default, you can program a digital input as an enable input. The status of this input is interpreted by drive software. If the application requires the drive to be disabled without software interpretation, a hardware enable configuration is used. To use the hardware enable configuration, remove the enable jumper (ENBL JMP) and wire the enable input to Digital In 6 (see below).

1. Remove the drive cover.
2. Locate and remove the enable jumper on the main control board (see the diagram).
3. Wire enable to Digital In 6 (see [Table 17 on page 36](#)).



## Safe Torque Off Board Option (only enhanced control)

The optional PowerFlex Safe Torque Off board, when used with suitable safety components, provides protection according to EN 954-1:1997; Category 3 for safe off and protection against restart. The PowerFlex safe off option is just one safety control system. All components in the system must be chosen and applied correctly, to achieve the desired level of operator safeguarding.




---

**IMPORTANT** The drive enable digital input is a solid state circuit. The safety outputs on the safety module must not be configured for pulsed/safety pulse test.

---

**IMPORTANT** The drive ships with the hardware enable jumper (ENBL JMP) installed. You must remove the jumper if you are using the DriveGuard® Safe Torque Off option. If you do not remove the jumper, the drive faults when a start command is issued.

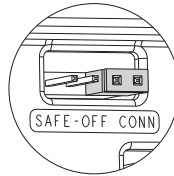
---

**Table 18 - Terminal Description**

No.	Signal	Description
1	Monitor - N.C.	Normally closed contacts for monitoring relay status. Maximum Resistive Load: 250V AC / 30V DC / 50 VA / 60 W Maximum Inductive Load: 250V AC / 30V DC / 25 VA / 30 W
2	Common - N.C.	
3	+24V DC	Connections for user supplied power to energize coil.
4	24V Common	

For detailed information on installing and wiring a safety relay system, refer to the DriveGuard Safe Torque Off Option (Series B) for PowerFlex 40P and PowerFlex 70 AC Drives User Manual, publication [PFLEX-UM003](#).

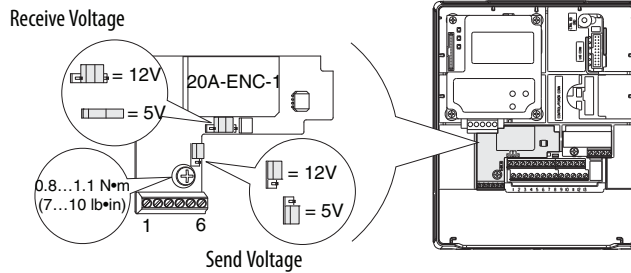
**IMPORTANT**



If the Safe Torque Off board is removed from the drive, pins 3 and 4 of the Safe Torque Off connector must be jumpered for the drive to run. If the Safe Torque Off board or the jumper is not installed, and the drive is commanded to run, an F111 Enable Hardware fault occurs.

**Encoder Interface Option (only enhanced control)**

The optional PowerFlex encoder interface can source 5- or 12-volt power and accept 5- or 12-volt single-ended differential inputs. The factory default setting is 12 volts.



**Table 19 - Terminal Description**

No.	Signal	Description
1	5V or 12V power	Internal power source 250 mA (isolated).
2	Power return	
3	Encoder B (NOT)	Single channel or quadrature B input.
4	Encoder B	
5	Encoder A (NOT)	Single channel or quadrature A input.
6	Encoder A	

**Figure 13 - Sample Encoder Wiring**

I/O	Connection Example	I/O	Connection Example
<b>Encoder power – internal drive power</b> Internal (drive) 12V DC, 250 mA		<b>Encoder power – external power source</b>	
<b>Encoder signal – single-ended, dual channel</b>		<b>Encoder signal – differential, dual channel</b>	



**Table 20 - Encoder Specifications**

Topic	Description
Type	Incremental, dual-channel
Supply	5V/12V Configurable $\pm 5\%$
Quadrature	$90^\circ \pm 27^\circ$
Duty Cycle	50% +10%
Requirements	Encoders must be line driver type, quadrature (dual channel) or pulse (single channel), single-ended or differential and capable of supplying a minimum of 10 mA per channel. The encoder interface board accepts 5V or 12V DC square-wave with a minimum high state voltage of 3.5V DC (5V mode) and 7.0V DC (12V mode). Maximum low state voltage is 1V DC (for both 5V and 12V modes). Maximum input frequency is 250 kHz.

## Step 5: Start-up Checklist

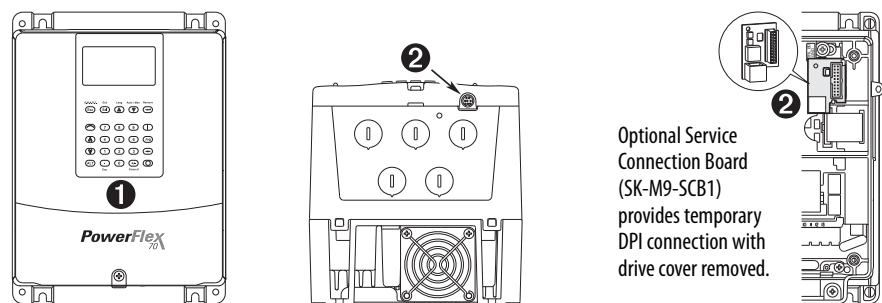
- This checklist supports the basic start-up menu option. See [Start-up Routines on page 46](#) for information on other start-up routines.
- A HIM is required to run the basic start-up routine.
- The basic start-up routine can modify parameter values for analog and digital I/O. Refer to [Common I/O Programming Changes on page 48](#).



**ATTENTION:** Power must be applied to the drive to perform the following start-up procedure. Some of the voltages present are at incoming line potential. To avoid electric shock hazard or damage to equipment, only qualified service personnel can perform the following procedure. Thoroughly read and understand the procedure before beginning.

## Prepare For Drive Startup

1. Verify the input supply voltage.
2. Check the output wiring.
3. Check the control wiring.
4. Connect a HIM to DPI Port 1 or 2.

**Figure 14 - DPI Ports 1 and 2**

5. Apply AC power and control voltages to the drive.

---

**IMPORTANT** If any of the six digital inputs are configured to Stop – CF (CF = Clear Fault) or Enable, verify that signals are present or the drive can not start. Refer to [Troubleshooting – Abbreviated Fault and Alarm Listing on page 49](#) for a list of potential digital input conflicts.

---

If the STS LED is not flashing green at this point, refer to [Drive Status Indicators on page 48](#).

6. When prompted, select a display language.

The PowerFlex 70 start-up screen displays.

7. Press the enter key to display the start-up menu.
8. Use the arrow keys to highlight **2. Basic**.
9. Press the enter key.

Use the enter key to follow the menu and step you through the start-up routine.

The basic start-up routine asks simple questions and prompts you to input required information. See also [Common I/O Programming Changes on page 48](#).

## Information About Start-up Motor Tests

Control schemes vary based on the Start/Jog Source that is selected in **Step 3. Motor Tests**.

Start/Jog Source	Control Source Description
Digital inputs	Digital In 1 = Stop / Digital In 2 = Start / Digital In 3 = Jog
Local HIM – Port 1	HIM connected to DPI Port 1 controls Stop / Start / Jog Digital In 1 . . . 6 are temporarily disabled during motor tests.
Remote HIM	HIM connected to DPI Port 2 controls Stop / Start / Jog Digital In 1 . . . 6 are temporarily disabled during motor tests.

During motor tests and tuning procedures, the drive can modify certain parameter values for proper start-up operation. These values are reset to their original values when startup is complete. The affected parameters are listed here:

- 053
- 080
- 276
- 278
- 361...366

---

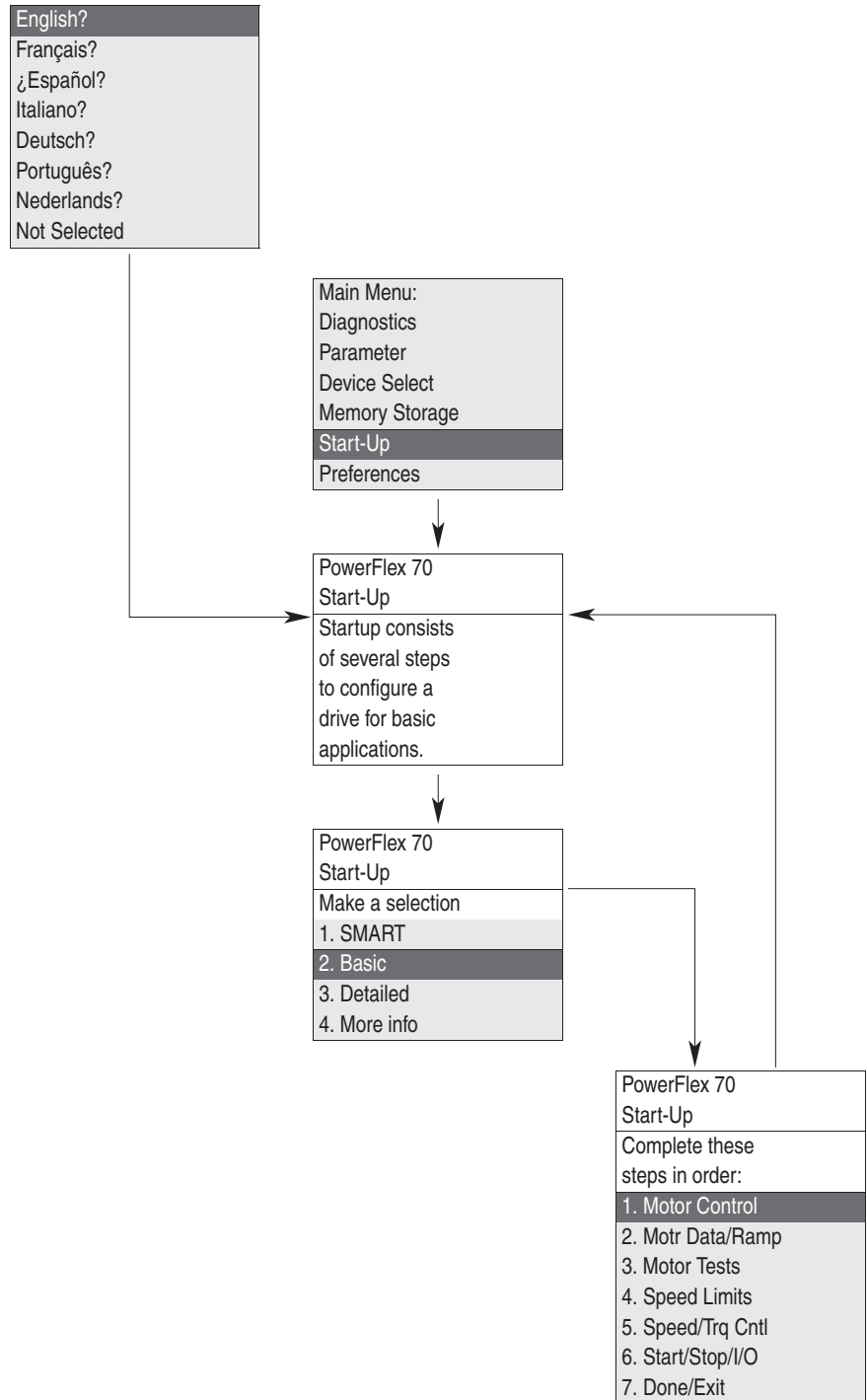
**IMPORTANT** If power is removed from the drive during the tests without aborting the auto-tune procedure, these parameters may not reset to their original value. If this situation occurs, reset the drive to factory defaults (see [page 49](#)) and repeat the start-up procedure.

---

## Appendix A: Startup and Troubleshooting

This section includes information for starting and troubleshooting the drive.

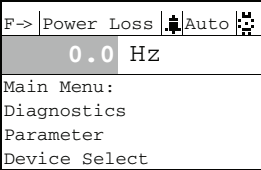
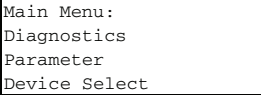
### First Power-up Menu Structure















## Human Interface Module (HIM) Overview

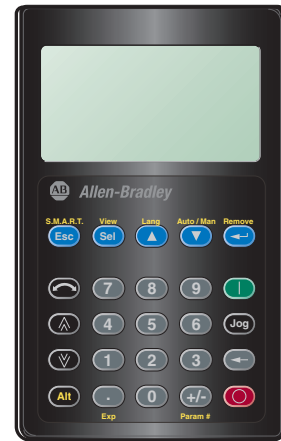
This section provides information for operating the HIM.

### LCD Display Elements

Display	Description
	Direction   Drive Status   Alarm   Auto/Man   Information
	Commanded or Output Frequency
	Programming / Monitoring / Troubleshooting

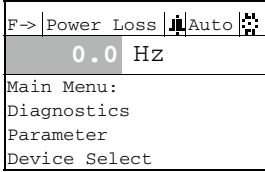
### Human Interface Module (HIM) Key Functions

Key	Description
	Exit a menu, cancel a change to a parameter value, or acknowledge a fault/alarm.
	Select a digit, select a bit, or enter edit mode in a parameter screen.
	Scroll through options, increase a value, or toggle a bit.
	Scroll through options, decrease a value, or toggle a bit.
	Enter a menu, enter edit mode in a parameter screen, or save a change to a parameter value.
	Access the function associated with a programming or numeric key. Provides access to the Large Format Display. Refer to the drive user manual for more information.
	Start the drive.
	Stop the drive or clear a fault.
	Jog the drive.
	Change direction. These keys are active when the HIM is granted Manual Control or Param. 090 [Speed Ref A Sel] / 093 [Speed Ref B Sel] is set to:
	Option 18 "DPI Port 1" for a HIM installed in the drive cover
	or
	Option 19 "DPI Port 2" for a HIM connected by cable for handheld or remote installation option












Human Interface Module (HIM)

### Human Interface Module (HIM) Main Menu

Main Menu Screen	Menu Selections
	Main Menu: Diagnostics Parameter Device Select Memory Storage Start-Up Preferences

### ALT Functions

To use an ALT function, start at the Main Menu and press the ALT key, release it, then press the programming key associated with one of the following functions listed in the table below.

ALT Key then	Function	Function Description
	S.M.A.R.T.	Displays the S.M.A.R.T. screen. This function enables the drive parameter values to be quickly programmed by directly accessing the most frequently used drive functions. Refer to the user manual for more information.
	Log In/Out	Log in to change parameter settings. Log out to protect parameter settings. Change a password.
	View	Enables the selection of how parameters are viewed or detailed information about a parameter or component.
	Device	Select a connected adapter for editing.
 	Lang	Displays the language selection screen. The LCD HIM on an architecture class drive enables you to change the display language any time.
	Auto / Man	Switches between Auto and Manual Modes. If the HIM requests Manual Mode, the Speed Reference source is transferred to the HIM.
	Remove	Enables HIM removal without causing a fault if the HIM is not the last controlling device and does not have manual control of the drive.
	Param #	Enables entry of a parameter number for viewing/editing.

## Start-up Routines

The PowerFlex 70 is designed so that startup is simple and efficient. If you have an LCD HIM, two start-up methods are provided. Select the desired start-up routine needed for the application:

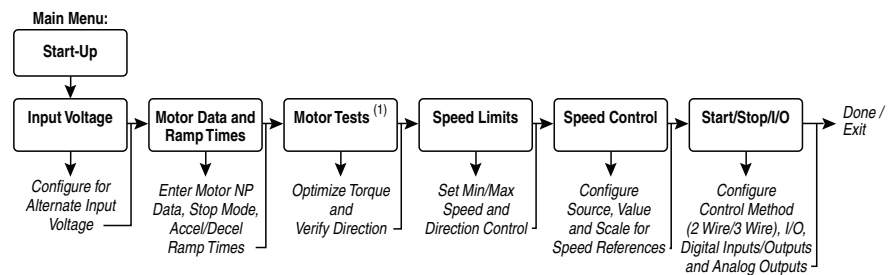
- **S.M.A.R.T. Start**

This routine lets you quickly set up the drive by programming values for the most commonly used functions (see [Running S.M.A.R.T. Start on page 47](#)).

- **Assisted Startup**

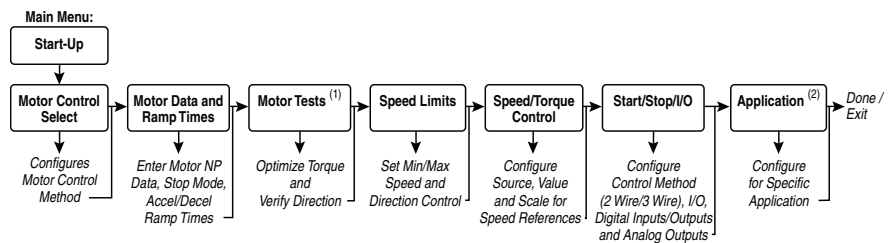
This routine prompts you for information needed to start up a drive for most applications, such as line and motor data, commonly adjusted parameters, and I/O. With enhanced control, two levels of assisted startup are available: basic and detailed (see [Running an Assisted Startup on page 47](#)).

**Figure 15 - Standard Control Start-up Menu**



**IMPORTANT** Power must be applied to the drive when viewing or changing parameters. Previous programming can affect the drive status when power is applied.

**Figure 16 - Enhanced Control Start-up Menu**



(1) During motor tests and tuning procedures, the drive can modify certain parameter values for proper start-up operation. These values are then reset to their original values when startup is complete. The affected parameters are: 053, 080, 276, 278, and 361...366. If power is removed from the drive during the tests without aborting the auto-tune procedure, these parameters may not reset to their original value. If this situation occurs, reset the drive to factory defaults (see [page 49](#)) and repeat the start-up procedure.




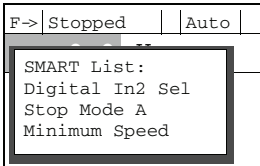
(2) Only in Detailed Startup mode.

## Running S.M.A.R.T. Start

During a startup, the majority of applications require changes to a few parameters. The LCD HIM on a PowerFlex 70 drive offers S.M.A.R.T. start, and displays the most commonly changed parameters. With these parameters you can set the following functions:

- S – Start Mode and Stop Mode
- M – Minimum and Maximum Speed
- A – Accel Time 1 and Decel Time 1
- R – Reference Source
- T – Thermal Motor Overload

To run a S.M.A.R.T. start routine, follow the steps in this table:




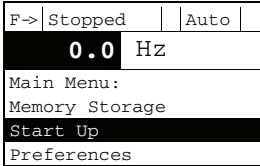
Step	Key(s)	Example LCD Displays
1. Press ALT and then Esc (S.M.A.R.T.). The S.M.A.R.T. start screen appears. 2. View and change parameter values as desired. For HIM information, see Appendix B. 3. Press Esc to exit the S.M.A.R.T. start.	   	

## Running an Assisted Startup

**IMPORTANT** This start-up routine requires an LCD HIM.


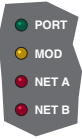
The assisted start-up routine prompts you to input required information. Access assisted startup by selecting Start Up from the Main Menu.

To perform an assisted startup, follow the steps in this table:

Step	Key(s)	Example LCD Displays
1. In the Main Menu, press the up arrow or down arrow to scroll to Start Up. 2. Press Enter.	  	

**IMPORTANT** You must select Done/Exit after you complete the start-up routine for the start-up/autotune data to be saved.

## Drive Status Indicators

Name	Color	State	Description
	Green	Flashing	The drive is ready but is not running, and no faults are present.
		Steady	The drive is running and no faults are present.
	Yellow	Flashing, drive stopped	An inhibit condition exists, the drive cannot be started. Check parameter 214 [Start Inhibits].
		Flashing, drive running	An intermittent type 1 alarm condition exists. Check parameter 211 [Drive Alarm 1].
		Steady, drive running	A continuous type 1 alarm condition exists. Check parameter 211 [Drive Alarm 1].
	Red	Flashing	A fault has occurred.
Steady		A non-resettable fault has occurred.	
	Refer to the communication adapter user manual.		Status of DPI port internal communications (if present).
			Status of communications module (when installed).
			Status of network (if connected).
			Status of secondary network (if connected).

## Common I/O Programming Changes

Your application needs can require changing parameters from their factory default settings.

### *Speed Reference A*

Change Speed Reference A from Analog In 2 to Analog In 1 to connect an external potentiometer.

1. Set Parameter 090 [Speed Ref A Sel] to option 1, Analog In 1.

This sets the speed reference input to I/O terminals 14 and 15 for voltage, and I/O terminals 16 and 17 for current.

2. Set Parameter 096 [TB Man Ref Sel] to option 9, MOP Level.

This eliminates a potential Conflict alarm condition. Analog In 2 is not a valid Speed Reference source if selected for any of the following parameters:

- 117 [Trim In Select]
- 126 [PI Reference Sel]
- 128 [PI Feedback Sel]
- 147 [Current Lmt Sel]

3. Set Parameter 091 [Speed Ref A Hi] to the upper value of the desired speed reference range in Hz.
4. Set Parameter 092 [Speed Ref A Lo] to the lower value of the desired speed reference range in Hz.

Speed Reference A is now configured for an external potentiometer.



## Control Scheme

Change from 3-wire Start/Stop to 2-wire Run/Not Run at Digital In 1 and Digital In 2.

1. Set Parameter 361 [Digital In1 Sel] to option 7 Run, or 9 Run Reverse.
2. Set Parameter 362 [Digital In2 Sel] to another option such as 8 Run Forward, or 10 Jog.

See I/O wiring examples beginning on [page 35](#).

## Restoring Factory Defaults

From the HIM Main Menu, select Memory Storage/Reset To Defaults.

## Troubleshooting – Abbreviated Fault and Alarm Listing

For a complete listing of faults and alarms, refer to the PowerFlex 70 User Manual, publication [20A-UM001](#).

**Table 21 - Abbreviated Fault Table**

Fault	No.	Type <sup>(1)</sup>	Description	Action
Auxiliary Input	2	①	Auxiliary input interlock is open.	Check remote wiring.
Decel Inhibit	24	③	The drive is not following a commanded deceleration because it is attempting to limit bus voltage.	Verify input voltage is within drive specified limits. Verify system ground impedance follows proper grounding techniques. Disable bus regulation and/or add dynamic brake resistor and/or extend deceleration time.
FluxAmpsRef Rang	78		The value for flux amps determined by the Autotune procedure exceeds the programmed [Motor NP FLA].	Reprogram [Motor NP FLA] with the correct motor nameplate value. Repeat Autotune.
HW OverCurrent	12	①	The drive output current has exceeded the hardware current limit.	Check programming. Check for excess load, improper DC boost setting, DC brake volts set too high or other causes of excess current.
IR Volts Range	77		"Calculate" is the autotune default and the value determined by the autotune procedure for IR Drop Volts is not in the range of acceptable values.	Re-enter motor nameplate data.
Motor Overload	7	① ③	Internal electronic overload trip. Enable/Disable with [Fault Config 1].	An excessive motor load exists. Reduce load so drive output current does not exceed the current set by [Motor NP FLA].

**Table 21 - Abbreviated Fault Table (continued)**

<b>Fault</b>	<b>No.</b>	<b>Type<sup>(1)</sup></b>	<b>Description</b>	<b>Action</b>
OverSpeed Limit	25	①	Functions such as Slip Compensation or Bus Regulation have attempted to add an output frequency adjustment greater than that programmed in [Overspeed Limit].	Remove excessive load or overhauling conditions or increase [Overspeed Limit].
OverVoltage	5	①	DC bus voltage exceeded maximum value.	Monitor the AC line for high line voltage or transient conditions. Bus overvoltage can also be caused by motor regeneration. Extend the decel time or install dynamic brake option.
SW OverCurrent	36	①	Drive output current has exceeded the 1ms current rating. This rating is greater than the 3 second current rating and less than the hardware overcurrent fault level. It is typically 200-250% of the drive continuous rating.	Check for excess load, improper DC boost setting. DC brake volts set too high.

(1) See the PowerFlex 70 User Manual, publication [20A-UM001](#), for a description of fault types.

Table 22 - Abbreviated Alarm Table

Alarm	No.	Type <sup>(1)</sup>	Description																																																																																																				
Dig In ConflictA	17	2	<p>Digital input functions are in conflict. Combinations marked with an "X" will cause an alarm.</p> <table border="1"> <thead> <tr> <th></th> <th>Acc2/Dec2</th> <th>Accel 2</th> <th>Decel 2</th> <th>Jog</th> <th>Jog Fwd</th> <th>Jog Rev</th> <th>Fwd/Rev</th> </tr> </thead> <tbody> <tr> <td>Acc2 / Dec2</td> <td></td> <td>X</td> <td>X</td> <td></td> <td></td> <td></td> <td></td> </tr> <tr> <td>Accel 2</td> <td>X</td> <td></td> <td></td> <td></td> <td></td> <td></td> <td></td> </tr> <tr> <td>Decel 2</td> <td>X</td> <td></td> <td></td> <td></td> <td></td> <td></td> <td></td> </tr> <tr> <td>Jog</td> <td></td> <td></td> <td></td> <td></td> <td>X</td> <td>X</td> <td></td> </tr> <tr> <td>Jog Fwd</td> <td></td> <td></td> <td></td> <td>X</td> <td></td> <td></td> <td>X</td> </tr> <tr> <td>Jog Rev</td> <td></td> <td></td> <td></td> <td>X</td> <td></td> <td></td> <td>X</td> </tr> <tr> <td>Fwd / Rev</td> <td></td> <td></td> <td></td> <td></td> <td>X</td> <td>X</td> <td></td> </tr> </tbody> </table>		Acc2/Dec2	Accel 2	Decel 2	Jog	Jog Fwd	Jog Rev	Fwd/Rev	Acc2 / Dec2		X	X					Accel 2	X							Decel 2	X							Jog					X	X		Jog Fwd				X			X	Jog Rev				X			X	Fwd / Rev					X	X																																					
	Acc2/Dec2	Accel 2	Decel 2	Jog	Jog Fwd	Jog Rev	Fwd/Rev																																																																																																
Acc2 / Dec2		X	X																																																																																																				
Accel 2	X																																																																																																						
Decel 2	X																																																																																																						
Jog					X	X																																																																																																	
Jog Fwd				X			X																																																																																																
Jog Rev				X			X																																																																																																
Fwd / Rev					X	X																																																																																																	
Dig In ConflictB	18	2	<p>A digital Start input has been configured without a Stop input or other functions are in conflict. Combinations that conflict are marked with an "X" and will cause an alarm.</p> <table border="1"> <thead> <tr> <th></th> <th>Start</th> <th>Stop-CF</th> <th>Run</th> <th>Run Fwd</th> <th>Run Rev</th> <th>Jog</th> <th>Jog Fwd</th> <th>Jog Rev</th> <th>Fwd/Rev</th> </tr> </thead> <tbody> <tr> <td>Start</td> <td></td> <td></td> <td>X</td> <td>X</td> <td>X</td> <td></td> <td>X</td> <td>X</td> <td></td> </tr> <tr> <td>Stop-CF</td> <td></td> <td></td> <td></td> <td></td> <td></td> <td></td> <td></td> <td></td> <td></td> </tr> <tr> <td>Run</td> <td>X</td> <td></td> <td></td> <td>X</td> <td>X</td> <td></td> <td>X</td> <td>X</td> <td></td> </tr> <tr> <td>Run Fwd</td> <td>X</td> <td></td> <td>X</td> <td></td> <td></td> <td>X</td> <td></td> <td></td> <td>X</td> </tr> <tr> <td>Run Rev</td> <td>X</td> <td></td> <td>X</td> <td></td> <td></td> <td>X</td> <td></td> <td></td> <td>X</td> </tr> <tr> <td>Jog</td> <td></td> <td></td> <td></td> <td>X</td> <td>X</td> <td></td> <td></td> <td></td> <td></td> </tr> <tr> <td>Jog Fwd</td> <td>X</td> <td></td> <td>X</td> <td></td> <td></td> <td></td> <td></td> <td></td> <td></td> </tr> <tr> <td>Jog Rev</td> <td>X</td> <td></td> <td>X</td> <td></td> <td></td> <td></td> <td></td> <td></td> <td></td> </tr> <tr> <td>Fwd / Rev</td> <td></td> <td></td> <td></td> <td>X</td> <td>X</td> <td></td> <td></td> <td></td> <td></td> </tr> </tbody> </table>		Start	Stop-CF	Run	Run Fwd	Run Rev	Jog	Jog Fwd	Jog Rev	Fwd/Rev	Start			X	X	X		X	X		Stop-CF										Run	X			X	X		X	X		Run Fwd	X		X			X			X	Run Rev	X		X			X			X	Jog				X	X					Jog Fwd	X		X							Jog Rev	X		X							Fwd / Rev				X	X				
	Start	Stop-CF	Run	Run Fwd	Run Rev	Jog	Jog Fwd	Jog Rev	Fwd/Rev																																																																																														
Start			X	X	X		X	X																																																																																															
Stop-CF																																																																																																							
Run	X			X	X		X	X																																																																																															
Run Fwd	X		X			X			X																																																																																														
Run Rev	X		X			X			X																																																																																														
Jog				X	X																																																																																																		
Jog Fwd	X		X																																																																																																				
Jog Rev	X		X																																																																																																				
Fwd / Rev				X	X																																																																																																		
Dig In ConflictC	19	2	<p>More than one physical input has been configured to the same input function. Multiple configurations are not allowed for the following input functions:</p> <ul style="list-style-type: none"> <li>• Forward/Reverse, Run Reverse, Bus Regulation Mode B</li> <li>• Speed Select 1, Jog Forward, Acc2 / Dec2</li> <li>• Speed Select 2, Jog Reverse, Accel 2</li> <li>• Speed Select 3, Run, Decel 2</li> <li>• Run Forward, Stop Mode B</li> </ul>																																																																																																				
TB Man Ref Cflct EC	30		<p>Occurs when: "Auto/Manual" is selected (default) for [Digital In3 Sel], parameter 363 <i>and</i> [TB Man Ref Sel], parameter 96 has been reprogrammed. No other use for the selected analog input can be programmed. Example: If [TB Man Ref Sel] is reprogrammed to "Analog In 2," all of the factory default uses for "Analog In 2" must be reprogrammed (such as parameters 90, 117, 128 and 179). Refer to the Auto/Manual Examples section of the PowerFlex 70 User Manual, publication <a href="#">20A-UM001</a>. To correct: Verify/reprogram the parameters that reference an analog input <i>or</i> Reprogram [Digital In3] to another function or "Unused."</p>																																																																																																				

(1) See PowerFlex 70 User Manual, publication [20A-UM001](#), for a description of alarm types.

## Common Symptoms and Corrective Actions

**Table 23 - Drive Does Not Start From Start or Run Inputs Wired to the Terminal Block**

Cause	Indication	Corrective Action
Drive is Faulted	Flashing red status light	Clear fault. <ul style="list-style-type: none"> <li>• Press Stop</li> <li>• Cycle power</li> <li>• Set [Fault Clear] to 1</li> <li>• "Clear Faults" on the HIM Diagnostic menu</li> </ul>
Incorrect input wiring. See page 35 for wiring examples. <ul style="list-style-type: none"> <li>• 2 wire control requires Run, Run Forward, Run Reverse or Jog input.</li> <li>• 3 wire control requires Start and Stop inputs</li> <li>• Jumper from terminal 7 to 8 is required.</li> </ul>	Flashing green status light	Wire inputs correctly and/or install jumper.
Incorrect digital input programming. <ul style="list-style-type: none"> <li>• Mutually exclusive choices have been made (i.e., Jog and Jog Forward).</li> <li>• 2-wire and 3-wire programming can be conflicting.</li> <li>• Exclusive functions (for example, direction control) can have multiple inputs configured.</li> <li>• Stop is factory default and is not wired.</li> </ul>	None	Program [Digital Inx Sel] for correct inputs. Start or Run programming can be missing.
	Flashing yellow status light and "DigIn CflctB" indication on LCD HIM. [Drive Status 2] shows type 2 alarm(s).	Program [Digital Inx Sel] to resolve conflicts. Remove multiple selections for the same function. Install stop button to apply a signal at stop terminal.
Safe Torque Off Option Installed <ul style="list-style-type: none"> <li>• Hardware Enable Input "Digital In 6" not present.</li> </ul>	Flashing yellow status light and "Not Enable" indication on LCD HIM.	Verify correct wiring to "Digital In 6." Check for presence of signal.
Safe Torque Off Option inputs not present.	Flashing yellow status light and "Safe-Off" indication on LCD HIM.	Wire inputs correctly on Safe Off option terminals 1 through 4. Refer to the DriveGuard Safe Torque Off Option User Manual, publication <a href="#">PFLEX-UM003</a> for additional information

**Table 24 - Drive Does Not Start From the Human Interface Module (HIM)**

Cause	Indication	Corrective Action
Drive is programmed for 2-wire control. Human Interface Module (HIM) Start button is disabled for 2-wire control.	None	If 2-wire control is required, no action is necessary. If 3-wire control is required, program [Digital Inx Sel] for correct inputs.

**Table 25 - Drive Does Not Respond to Changes in Speed Command**

Cause	Indication	Corrective Action
No value is coming from the source of the command.	LCD HIM Status Line indicates "At Speed" and output is 0 Hz.	<ol style="list-style-type: none"> <li>1. If the source is an analog input, check wiring and use a meter to check for presence of signal.</li> <li>2. Check [Commanded Freq] for correct source.</li> </ol>
Incorrect reference source has been programmed.	None	<ol style="list-style-type: none"> <li>1. Check [Speed Ref Source] for the source of the speed reference.</li> <li>2. Reprogram [Speed Ref A Sel] for correct source.</li> </ol>
Incorrect reference source is being selected via remote device or digital inputs.	None	<ol style="list-style-type: none"> <li>1. Check [Drive Status 1], bits 12 and 13 for unexpected source selections.</li> <li>2. Check [Dig In Status] to see if inputs are selecting an alternate source.</li> <li>3. Reprogram digital inputs to correct "Speed Sel x" option.</li> </ol>



**Table 26 - Motor and/or Drive does Not Accelerate to Commanded Speed**

Cause	Indication	Corrective Action
Acceleration time is excessive.	None	Reprogram [Accel Time x].
Excess load or short acceleration times force the drive into current limit, slowing or stopping acceleration.	None	<p>Check [Drive Status 2], bit 10 to see if the drive is in Current Limit.</p> <p>Remove excess load or reprogram [Accel Time x].</p>
Speed command source or value is not as expected.	None	Check for the proper Speed Command by using <a href="#">Table 25 on page 53</a> .
Programming is preventing the drive output from exceeding limiting values.	None	Check [Maximum Speed] and [Maximum Freq] to assure that speed is not limited by programming.

**Table 27 - Motor Operation is Unstable**

Cause	Indication	Corrective Action
Motor data was incorrectly entered or Autotune was not performed.	None	<ol style="list-style-type: none"> <li>1. Correctly enter motor nameplate data.</li> <li>2. Perform "Static" or "Rotate" Autotune procedure.</li> </ol>

## Manually Clearing Faults

Step	Key(s)
<ol style="list-style-type: none"> <li>1. Press Esc to acknowledge the fault. The fault information is removed so that you can use the Human Interface Module (HIM).</li> <li>2. Address the condition that caused the fault. The cause must be corrected before the fault can be cleared.</li> <li>3. After corrective action has been taken, clear the fault by one of these methods: <ul style="list-style-type: none"> <li>• Press Stop.</li> <li>• Cycle drive power.</li> <li>• Set parameter 240 [Fault Clear] to "1".</li> <li>• "Clear Faults" on the Human Interface Module (HIM) Diagnostic menu.</li> </ul> </li> </ol>	          

**Notes:**

**Notes:**

## Rockwell Automation Support

Rockwell Automation provides technical information on the Web to assist you in using its products.

At <http://www.rockwellautomation.com/support>, you can find technical manuals, technical and application notes, sample code and links to software service packs, and a MySupport feature that you can customize to make the best use of these tools. You can also visit our Knowledgebase at <http://www.rockwellautomation.com/knowledgebase> for FAQs, technical information, support chat and forums, software updates, and to sign up for product notification updates.

For an additional level of technical phone support for installation, configuration, and troubleshooting, we offer TechConnect<sup>SM</sup> support programs. For more information, contact your local distributor or Rockwell Automation representative, or visit <http://www.rockwellautomation.com/support/>.

## Installation Assistance

If you experience a problem within the first 24 hours of installation, review the information that is contained in this manual. You can contact Customer Support for initial help in getting your product up and running.

United States or Canada	1.440.646.3434
Outside United States or Canada	Use the <a href="#">Worldwide Locator</a> at <a href="http://www.rockwellautomation.com/rockwellautomation/support/overview.page">http://www.rockwellautomation.com/rockwellautomation/support/overview.page</a> , or contact your local Rockwell Automation representative.

## New Product Satisfaction Return

Rockwell Automation tests all of its products to help ensure that they are fully operational when shipped from the manufacturing facility. However, if your product is not functioning and needs to be returned, follow these procedures.

United States	Contact your distributor. You must provide a Customer Support case number (call the phone number above to obtain one) to your distributor to complete the return process.
Outside United States	Please contact your local Rockwell Automation representative for the return procedure.

## Documentation Feedback

Your comments will help us serve your documentation needs better. If you have any suggestions on how to improve this document, complete this form, publication [RA-DU002](#), available at <http://www.rockwellautomation.com/literature/>.

U.S. Allen-Bradley Drives Technical Support - Tel: (1) 262.512.8176, Fax: (1) 262.512.2222, E-mail: [support@drives.ra.rockwell.com](mailto:support@drives.ra.rockwell.com)  
Online: [www.ab.com/support/abdrives](http://www.ab.com/support/abdrives)

Allen-Bradley, Rockwell Software, Rockwell Automation, PowerFlex, and TechConnect are trademarks of Rockwell Automation, Inc.  
Trademarks not belonging to Rockwell Automation are property of their respective companies.



**[www.rockwellautomation.com](http://www.rockwellautomation.com)**

### Power, Control and Information Solutions Headquarters

Americas: Rockwell Automation, 1201 South Second Street, Milwaukee, WI 53204-2496 USA, Tel: (1) 414.382.2000, Fax: (1) 414.382.4444  
Europe/Middle East/Africa: Rockwell Automation NV, Pegasus Park, De Kleetlaan 12a, 1831 Diegem, Belgium, Tel: (32) 2 663 0600, Fax: (32) 2 663 0640  
Asia Pacific: Rockwell Automation, Level 14, Core F, Cyberport 3, 100 Cyberport Road, Hong Kong, Tel: (852) 2887 4788, Fax: (852) 2508 1846

Publication 20A-IN009D-EN-P - June 2013  
Supersedes Publication 20A-IN009C-EN-P - August 2009

Copyright © 2013 Rockwell Automation, Inc. All rights reserved. Printed in the U.S.A.